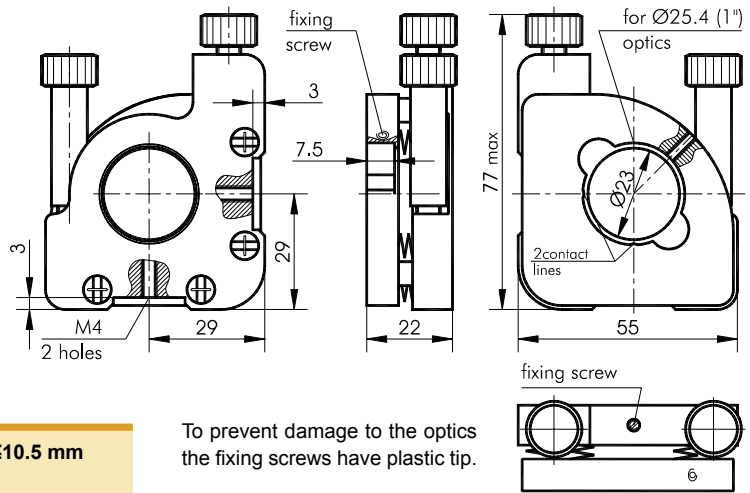


840-0192 KINEMATIC DOUBLE OPTICAL MOUNT OF SIDE DRIVE



- For Ø25.4 mm (1 inch) optics, thickness ≤10.5 mm
- Clear aperture 23 mm
- Kinematic design
- Dimensions most compact among 1 inch optics mounts
- Tilt/tip range ±2.5°
- Sensitivity 3 arcsec
- Both tilt and tip controlled from aside the optical path
- Ideal for dense optical schemes
- Fine adjustment screws with 0.25 mm pitch
- Hardened seats under adjustment screws
- Fine screw thread: M6×0.25 mm
- Accepts two pieces of optics: on the platform (adjustable), and on the base (not adjustable)

To prevent damage to the optics the fixing screws have plastic tip.



front and rear view – the base has an aperture for the second optics (not adjustable)

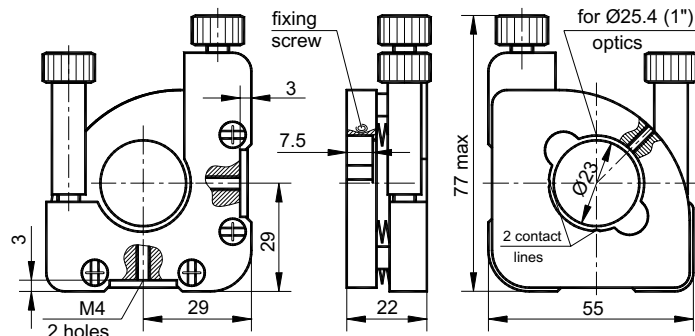
Code	Weight, kg	Price, EUR
840-0192	0.1	90

840-0193 KINEMATIC OPTICAL MOUNT OF SIDE DRIVE



- For Ø25.4 mm (1 inch) optics, thickness ≤10.5 mm
- Clear aperture 23 mm
- Kinematic design
- Dimensions most compact among 1 inch optics mounts
- Tilt/tip range ±2.5°
- Sensitivity 3 arcsec

- Fine Screw Thread M6×0.25 mm
- Both tilt and tip controlled from aside the optical path
- Ideal for dense optical schemes
- Fine adjustment screws with 0.25 mm pitch
- Hardened seats under adjustment screws



To prevent damage to the optics the fixing screw has a plastic tip.

Code	Weight, kg	Price, EUR
840-0193	0.12	87

OPTICAL TABLES
BRACKETS & RAILS
BASE MOUNTS & ACCESSORIES
OPTICAL MOUNTS
OPTICAL POSITIONERS
BASE POSITIONERS
TRANSLATION & ROTATION STAGES
ADJUSTMENT SCREWS
MOTORIZED POSITIONERS