

**840-0155-04 FLIPPING MIRROR / BEAMSPLITTER MOUNT**



840-0155-04

- Flip optics in and out of the optical scheme
- Kinematic design
- Maximum optics thickness 7 mm
- Clear edge design
- Hex key drive optional
- Material: black anodized aluminium
- Mirror version available

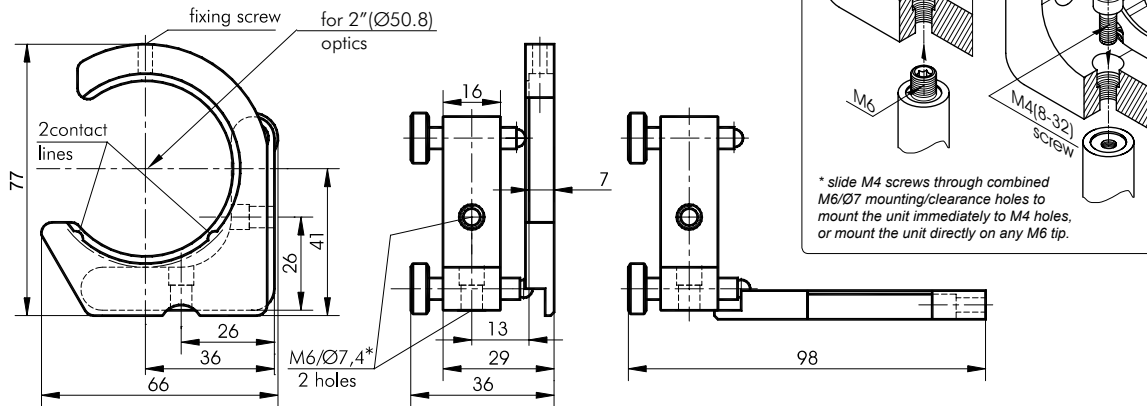


840-0155-05

**SPECIFICATIONS**

Fine screw thread	M6x0.25
Optics diameter	50.8 mm (2")
Clear aperture	49 mm
Repeatability	20 µrad
Tilt/tip range	8°
Sensitivity	3 arcsec

Code	Description	Price, EUR
840-0155-04	for Ø50.8 mm optics; screws with knobs	155
840-0155-05	for Ø50.8 mm optics; with hex screws	147

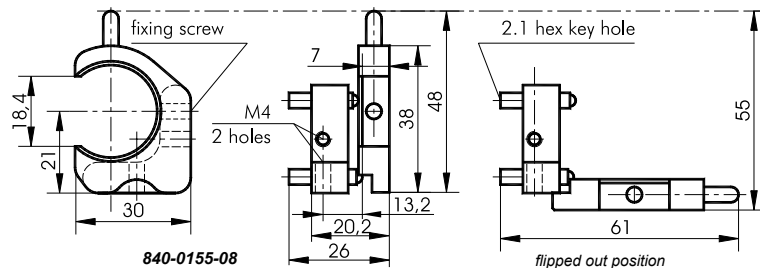


**840-0155-06  
840-0155-07  
840-0155-08  
840-0155-09** **MINIATURE FLIPPING MIRROR / BEAMSPLITTER MOUNT**

- Flip optics in and out of the optical scheme
- Repeatability 20 µrad
- Tilt/tip range 9°
- Sensitivity 8 arcsec
- For Ø12.7 and Ø25.4 mm (0.5" and 1") optics
- Clear edge design suits schemes where beam passes close to optics' edge
- Kinematic design
- High stability
- Hex key drive
- Material: black anodized aluminium
- Weight 0.02 kg
- "Mirror" versions available



840-0155-08



840-0155-08

OPTICAL TABLES  
BRACKETS & RAILS  
BASE MOUNTS & ACCESSORIES  
OPTICAL MOUNTS  
OPTICAL POSITIONERS  
BASE POSITIONERS  
TRANSLATION & ROTATION STAGES  
ADJUSTMENT SCREWS  
MOTORIZED POSITIONERS