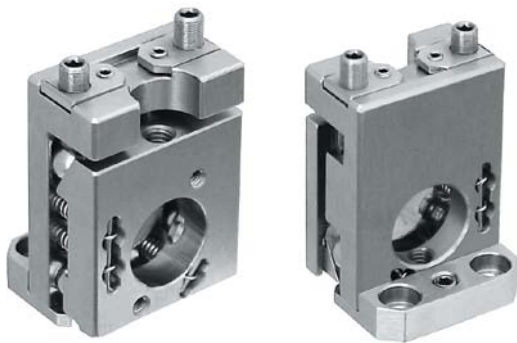


840-0230

KINEMATIC VERTICAL DRIVE OPTICAL MOUNT



Kinematic Vertical Drive Optical Mount 840-0230 is designed to minimize mount-induced wavefront distortions. In conventional mounts, the mirror is tightened by a side screw. Radial forces acting on the mirror induces parasitic wavefront distortion, such as astigmatism.

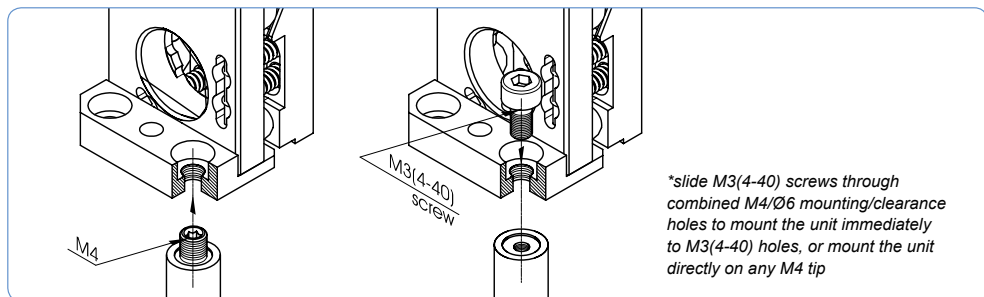
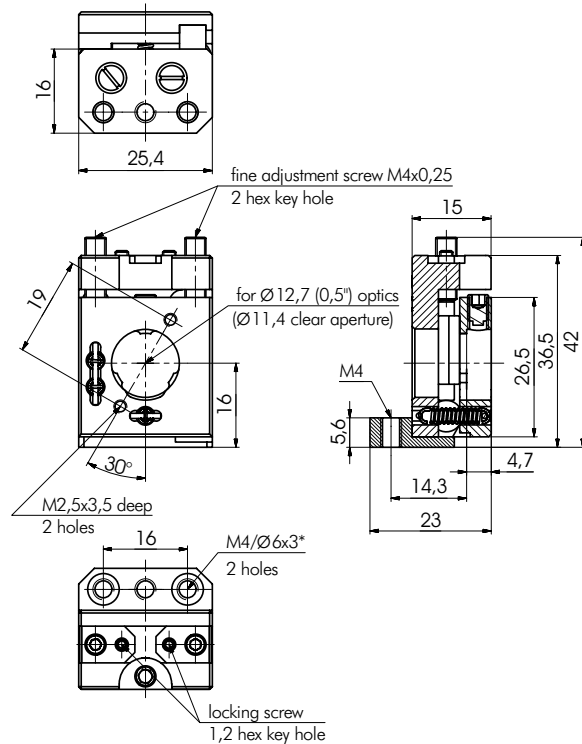
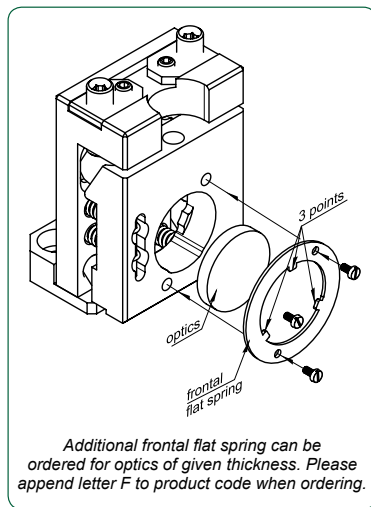
Uniformly distributed axial forces eliminate wavefront distortion. This mount is ideal for industrial applications in different optical devices (laser cavities, optical sub-assemblies, limited space applications) because of their long-term stability.

A fixing screw secures the optics against contact lines, which make 2 contact points. To prevent damage to the optics, the tip of the fixing screw is made of plastic.

- For $\varnothing 12.7$ mm (0.5 inch) optics
- Stainless steel
- Compact/robust design
- Lockable adjustment screws
- Fine screws pitch 0.25 mm (101.6 TPI)
- Tilt/tip range $\pm 2.5^\circ$
- Sensitivity 2 arcsec
- Vacuum compatible version is available on request

Code	Description	Weight, kg	Price, EUR
840-0230	Ultra-stable Kinematic Mirror Mount	0.1	115
FS	Frontal spring		10

For additional frontal flat spring please append letter F to product code.



OPTICAL TABLES

BRACKETS & RAILS

BASE MOUNTS & ACCESSORIES

OPTICAL MOUNTS

OPTICAL POSITIONERS

BASE POSITIONERS

TRANSLATION & ROTATION STAGES

ADJUSTMENT SCREWS

MOTORIZED POSITIONERS