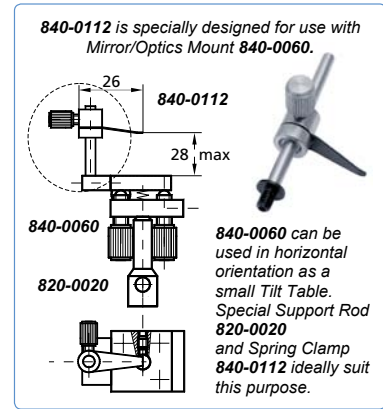
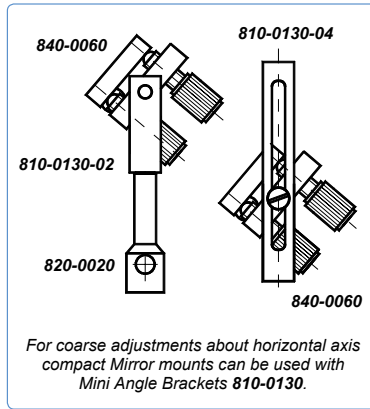
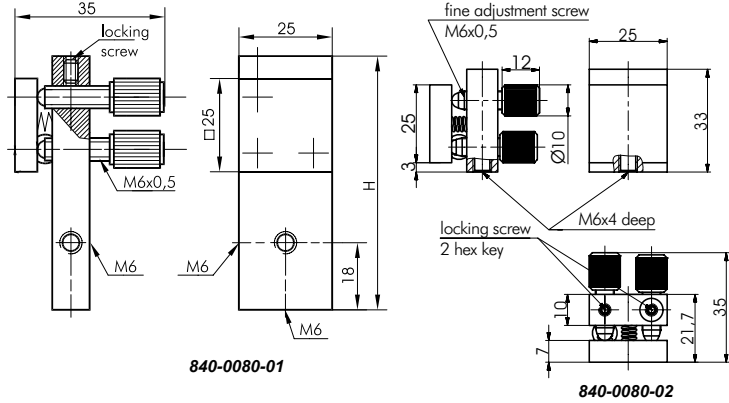


Ordering Information:

- 840-0060 – standard mount
- 840-0060S – standard mount with wrench driven screws
- 840-0060-00 – mirror/optics mount with adapter (see drawing)
- 840-0060-45S – mirror/optics mount with adapter and screws (see drawing)
- 840-0112 – spring clamp



840-0080 MIRROR MOUNTS WITH LOCKING SCREWS



Miniature Precision Mirror Mounts ensure precise angular adjustments of small optics about two orthogonal axes with 10 arcsec sensitivity. Mirror Mounts are provided with M4 and M6 tapped holes for mounting. These black anodized aluminium mirror mounts are ideal for holding of 25 mm and smaller optic in tight spaces. Lock Screws Mirror Mount 840-0080 are provided with extended back for convenient mounting in horizontal or vertical position. Teflon fixture of driving screws ensures stability during exploitation.

Code	H, mm	Weight, kg	Price, EUR
840-0080-01	68	0.07	37
840-0080-02	33	0.04	35

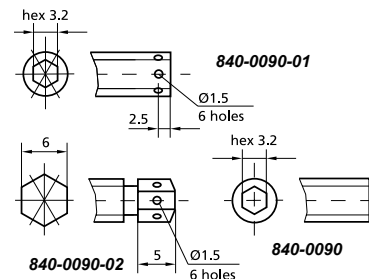
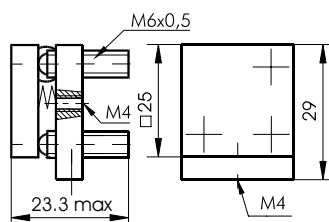
840-0090 COMPACT MIRROR MOUNT



The extremely small mount has small adjustment screws with a hexagonal head or a hexagonal keyhole. Miniature Precision Mirror Mount ensures precise angular adjustments of small optics about two orthogonal axes with 10 arcsec sensitivity. Mirror Mount is provided with M4 and M6 tapped holes for mounting. These black anodized aluminium mirror mount is ideal for holding of 25 mm and smaller optic in tight spaces. A suffix to the unit code

specifies adjustment screws of a desired type of drive:

- 840-0090** with hexagonal keyhole
 - 840-0090-01** with hexagonal keyhole and six holes for a wrench
 - 840-0090-02** with hexagonal head and six holes for a wrench.
- See figures to the right.



Code	Weight, kg	Price, EUR
840-0090	0.04	34
840-0090-01	0.04	36
840-0090-02	0.04	38