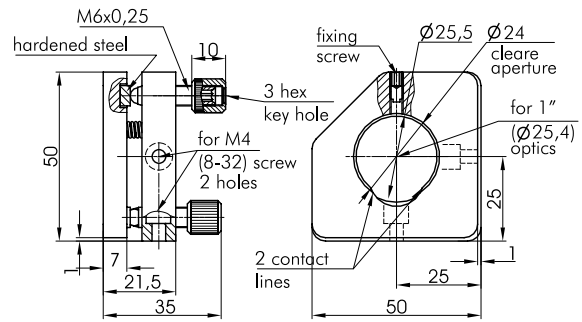


840-3120-B

BEAMSPLITTER / MIRROR MOUNTS



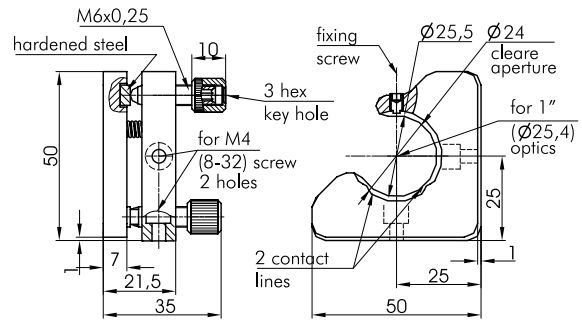
840-3120E-B

- For Ø25.4 mm (1 inch) optics
- Reset-flange inside the central aperture stops the optic
- Nylon-tipped fixing screw secures the optic
- M6x0.25 adjustment screws provide precise kinematic control
- "Right-hand" version available

Code	Description	Weight, kg	Price, EUR
840-3120E-B2	2 fine screws	0.08	44
840-3120E-B3	3 fine screws	0.08	53

840-4120-B

MIRROR OPTICAL MOUNT



840-4120E-B

- For Ø25.4 mm (1 inch) optics
- 2 contact points for optimum stability
- One edge of the optics stays clear, helpful in schemes where beams are very closely situated to one another
- M6x0.25 adjustment screws provide precise kinematic control
- "Right-hand" version available

Code	Description	Weight, kg	Price, EUR
840-4120E-B2	2 fine screws	0.08	50
840-4120E-B3	3 fine screws	0.08	59

OPTICAL
TABLES

BRACKETS &
RAILS

BASE MOUNTS &
ACCESSORIES

OPTICAL
MOUNTS

OPTICAL
POSITIONERS

BASE
POSITIONERS

TRANSLATION &
ROTATION STAGES

ADJUSTMENT
SCREWS

MOTORIZED
POSITIONERS