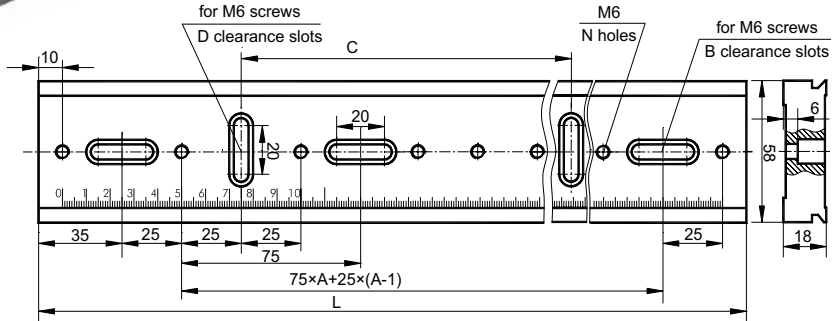
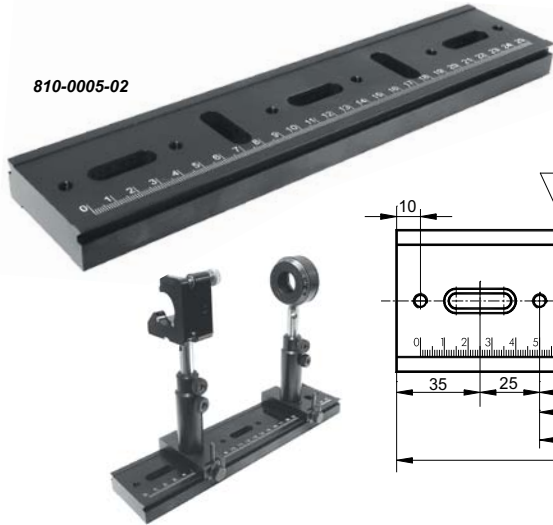


810-0005

ALUMINIUM OPTICAL RAILS

- Easy sliding and fixing
- Scale engraved
- Material: black anodized aluminium
- High stability

Code	Length, mm	A	N	B	D	C, mm	Weight, kg	Price, EUR
810-0005-01	150	-	3	2	1	-	0.36	64
810-0005-02	270	2	6	3	2	100	0.66	88
810-0005-04	470	4	12	5	2	300	1.16	109
810-0005-06	670	6	18	7	2	500	1.65	149
810-0005-08	800	7	22	8	2	600	2.00	225
810-0005-10	1000	9	28	10	2	800	2.40	295



810-0007

ALUMINIUM RAIL CARRIERS

- Two locking options: by integrated spring clip, and by a fixing screw
- Quick and easy sliding
- Material: black anodized aluminium

Components are attached to the carriers by M6 screws from beneath or from the top through M6 mounting holes.

To release and to move, or to lift the carrier push the lever of the clip. To stop the carrier firmly, use the fixing screw. Rather than grinding against, and damaging the rail with its tip, the screw gently clamps to the rail the wide tenon of the clip.

The clip is preloaded by a spring. Its lever is removable (on a thread).



810-0007-06



810-0007-02



Code	Weight, kg	Price, EUR
810-0007-06	0.05	57
810-0007-02	0.09	64

