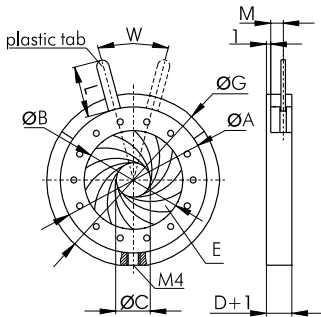


**Mounted Screwed Iris Diaphragms (994 Series)**

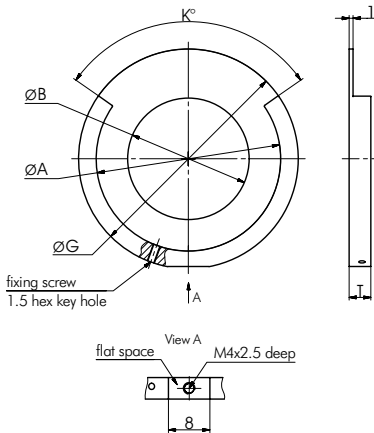


Code	A, Outer Diameter, mm	G, mm	B, Max. Aperture, mm	C, Min. Aperture, mm	D, Thickness, mm	E, Number of Leaves	Tab/ Pin	L, mm	M, mm	W, mm	AR/N/H
994-2214M	22	29.5	14	1	6	10	Tab	12	2,8	91	N
994-3118M	31	38	18	1,5	6.5	11	Tab	10	3,4	85	N
994-4830M	48.5	55.5	30	1,2	7	10	Tab	10	3,7	87	N
994-7050M	70	77	50	2,5	7	18	Tab	13	3,9	93	N
994-1508M	15	23	8	1	5,3	9	Tab	5	2,3	75	N
994-1585M	15,5	23	8,5	1	5,3	9	Tab	8	2,3	85	N

AR - Leaves with AR coating, for temperatures up to 180 °C  
 H - Stainless steel, for temperatures up to 400 °C  
 N - Springsteel, black finished, for temperatures up to 250 °C  
 HT - High-temperature alloy for up to 1000 °C

**992-34**

**MOUNTS FOR IRIS DIAPHRAGMS**



Code	G, mm	A, mm	B, mm	T, mm	K, deg
992-34-10	18	10	6	6	106
992-34-12	20	12	9	6	122
992-34-14	22	14	10	6	140
992-34-14.8	23	14.8	10	6	130
992-34-15	23	15	10	6.3	123
992-34-15.5	23	15.5	10.5	6.3	125
992-34-19.8	28	19.8	14	7	125
992-34-22	29.5	22	16	7	130
992-34-24	31	24	17	6	123
992-34-25	32.5	25	14	6	127
992-34-28	35.5	28	20	6	125
992-34-29	36.5	29	17	6	125
992-34-30	37.5	30	22	6.5	125
992-34-31	38	31	20	7.5	110
992-34-37	44	37	27	6.5	116
992-34-39	46	39	24	6	120
992-34-40	48	40	29	7	112
992-34-48	55.5	48	32	6	116
992-34-48.5	55.5	48.5	32	8	104
992-34-49	56	49	36	7.5	110
992-34-50	57	50	38	7	110
992-34-60	67	60	42	8	104
992-34-70	77	70	52	8	105
992-34-82	89	82	62	9	105