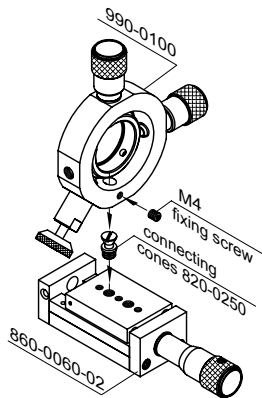


**990-0100 · 990-0200 Y-Z POSITIONER FOR LENS, PINHOLES AND OBJECTIVES**



990-0100



**Y-Z Positioners for Lens, Pinholes and Objectives** are compact mounts designed to precisely position optical components in the plane orthogonal to the optical axis. Ideal for microscope objectives, mounted pinholes, fiber optics chucks, and diode lasers.

The mounts provide 5 mm translation with sensitivity of 2 μm.

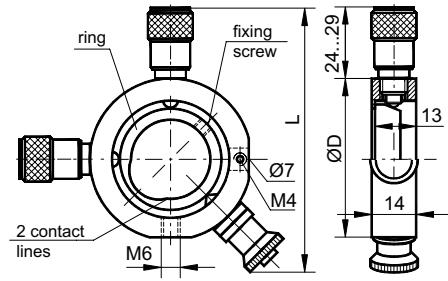
990-0100 may contain one of 1 inch rings: W0.8, A1 or B1.

990-0200 may contain one of 2 inch rings: A2 or B2.

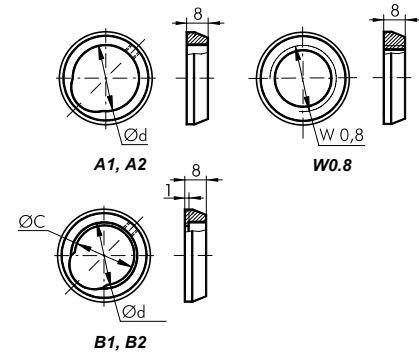
Two adjustment screws 870-0030 are used for positioning. They can be replaced with any screw or micrometer with M10×1 mounting thread.

Two ways to fasten positioner: mounting posts 820-0010 by an M6 hole; on a connecting cone 820-0250; 820-0254 by a Ø7 hole.

Material: black anodized aluminium.



**Insert rings**



**ORDERING INFORMATION**

990-0100-A1	1" Positioner with ring A1
990-0200-A2	2" Positioner with ring A2
990-0100-B1	1" Positioner with ring B1
990-0200-B2	2" Positioner with ring B2
990-0100-W0.8	1" Positioner with ring W0.8

Model	D, mm	d, mm	C, mm	L, mm	Weight, kg	Price, EUR
990-0100	58	25.5	24	102	0.26	149
990-0200	83	51	48	127	0.38	159

**990-0050 · 990-0051 Y-Z POSITIONERS FOR LENS, PINHOLES AND OBJECTIVES**



990-0050



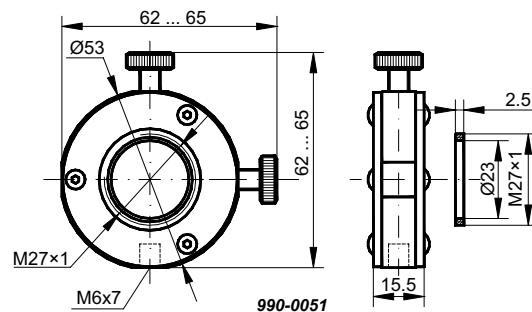
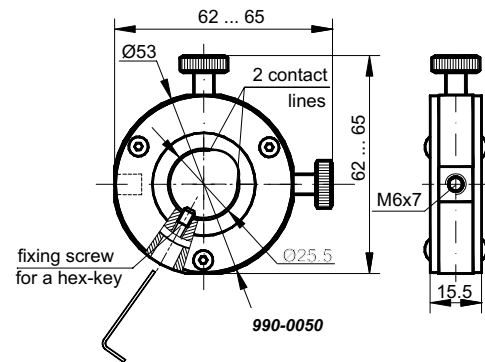
990-0051

- Travel range 3 mm
- Weight 0.12 kg

Y-Z Positioner 990-0050 accepts optics Ø25.4 mm. Optics is stopped by a rest-flange inside the central aperture of the platform and is secured by a hex fixing screw with hard plastic tip. 990-0050 is ideal for microscope objectives, mounted pinholes, fiber optics chucks and diode lasers.

990-0051 includes two plastic padding rings and a retaining ring M27x1 to fix the optics.

A tightening key for the retaining ring is available on request.



Code	Price, EUR
990-0050	119
990-0051	119