

961-0060

NARROW MOTORIZED TRANSLATION STAGE WITH DC MOTOR

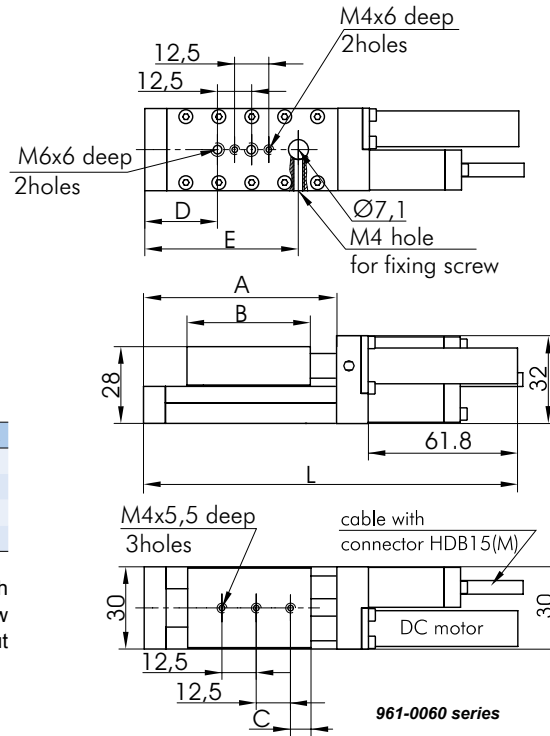


961-0064

Model	L, mm	A, mm	B, mm	C, mm	D, mm	E, mm	Price, EUR
961-0062	133.5	60	45	7.5	21.5	49	533
961-0064	143.5	70	45	7.5	26.5	56	536
961-0065	147.5	74	49	11	30.5	60	559
961-0066	153.5	80	55	11.5	36.5	66	573

DC motor provides smoother motion and closed loop operation. High number of motor reduction gear provides high resolution, but low speed in turn. Ideal for applications demanding high accuracy, but not sensitive to speed limitations.

Narrow Motorized Translation Stage with Vacuum Compatible DC Motor 961-0060V series is available. For product data sheet please visit www.eksmaoptics.com



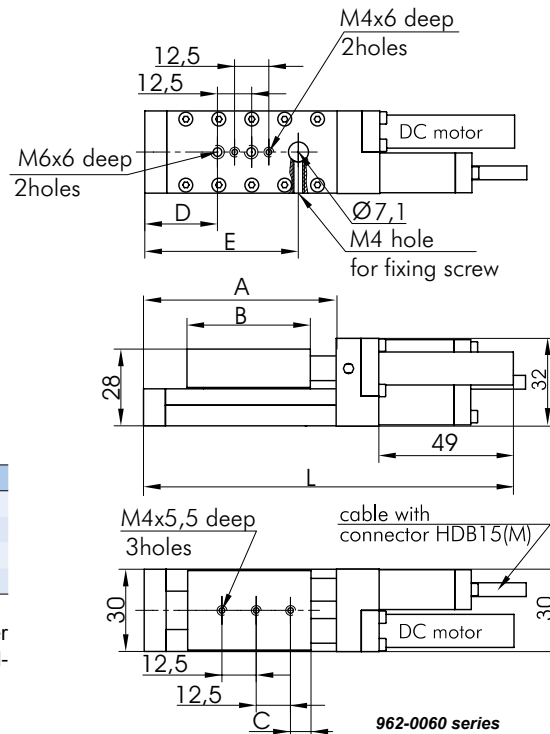
961-0060 series



962-0064

Model	L, mm	A, mm	B, mm	C, mm	D, mm	E, mm	Price, EUR
962-0062	130.5	66	45	7.5	27.5	55	533
962-0064	140.5	76	45	7.5	32.5	62	536
962-0065	144.5	80	49	11	36.5	66	559
962-0066	150.5	86	55	11.5	42.5	72	573

962-0060 series stages are equipped with DC motor without encoder and can operated with joystick only. Ideal for systems with own feedback, e.g. visual feedback when used with microscope.



962-0060 series

RECOMMENDED CONTROLLERS

Recommended controllers for 961 series narrow motorized translation stage with DC motor



Recommended controllers for 962 stages:
980-0060-USB-B1
See page 8.191

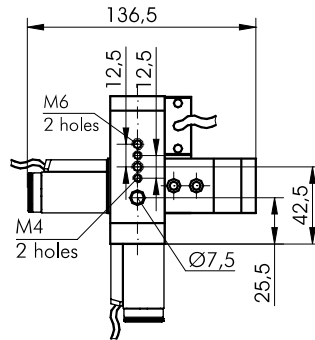


SPECIFICATIONS

Model	961/962-0062	961/962-0064	961/962-0065	961/962-0066
Travel range, mm	10	20	25	30
Lead screw pitch, mm			0.25	
Resolution, μm			0.058 / -	
Minimal incremental motion, μm			0.1	
Bi-directional Repeatability, μm			0.4	
Max. speed* mm/s			0.5 / 0.038	
Load capacity:				
Horizontal, kg			5	
Vertical, kg			1	
Cable			integrated, 1.6 m length	
Motor connector			HDB15(M) / DB9(M)	
DC motor / DC motor without encoder			DCE369751 / DCJ252445	
Weight, kg	0.43	0.46	0.47	0.48
Assemblies				
X-Y			810-0250	
Z			810-0150	
Mechanical end limit switches			2, pushed is "closed"	

* Test condition: controllers, power supply - 36 V.

Example of 961-0064 XYZ



Complementary Products

Code	Page
810-0150	8.28

