

940-0070

MOTORIZED TWO AXES TRANSLATION OPTICAL MOUNT



- **1" optics mounts**
- **Limit switch: optoelectronic couple**
- **Designed to use with microscope**
- **Black anodized aluminium**

The 940-0070 is made of 840-0207 XY Translation Mount and 970-0060 Compact Motorized Actuator.

Code	Price, EUR
940-0070	744

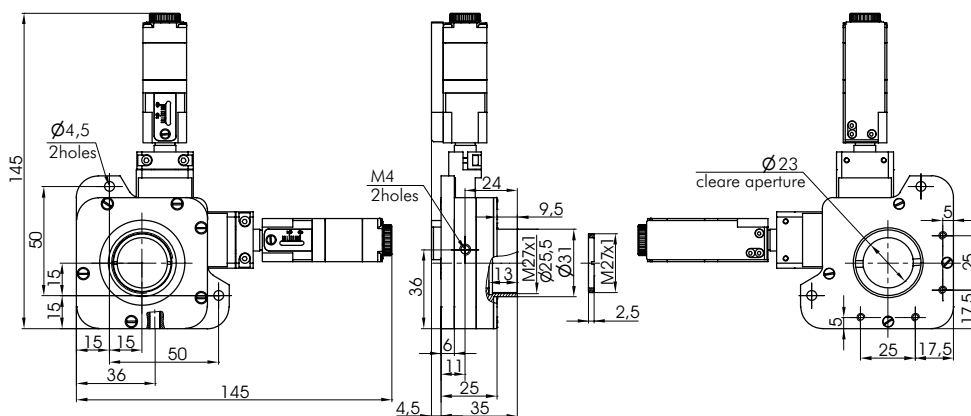
SPECIFICATIONS

Resolution:	
in full step	1.25 µm
in 1/8 step	0.156 µm
XY translation range	±2 mm
Lead screw pitch	0.25 mm
Optics diameter	25.4 mm
Clear aperture	23 mm
Installed actuators	2 x 970-0060
Cable	1.2 m length cable included
Motor connector	HDB15(M) (wiring diagram)
Weight	0.8 kg
Optocoupler end limit switches	2 per actuator
Switch polarity	pushed is open

DC motor base actuators are available on request.

Complementary Products

Code	Page
840-0207	8.95
970-0060	8.184



940-0200

MOTORIZED VERTICAL TRANSLATION STAGE



- **Pantograph design**
- **95 mm vertical travel range**
- **16 ball bearings**
- **Stepping motor drive**
- **Precision lead screw**

A stepper motor type – 5918, 200 steps. Customer can specify other type of motors to install.

Load capacity and speed all greatly depend on the motor. We can test and select an appropriate motor for your requirements.

The lead screw acts at a varying angle, so the resolution of the stage varies with position.

The platform has an array of M6 holes spaced by 25 mm. The base has six M6 and two Ø6.5 holes.

Material: black anodized aluminium.

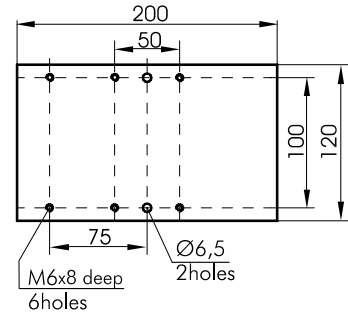
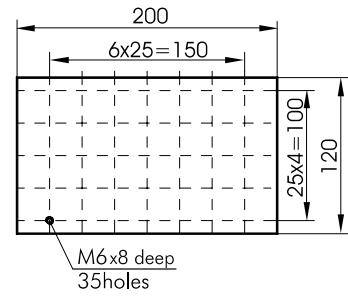
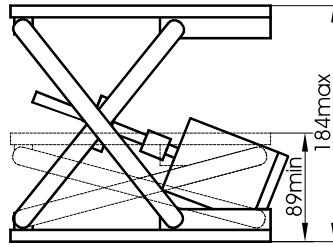
Motorized Vertical Translation Stage 940-0200 boasts our unique design. Being very compact, it provides smooth and stable adjustment of height. It has a large travel range and supports large loads. While moving the platform stays parallel to the base.

Examples of use: making up for height differences during the set up; automation of technological processes, like laser welding.


Code	Price, EUR
940-0200	798

SPECIFICATIONS


Travel range	95 mm
Height:	
Min.	89 mm
Max.	184 mm
Lead screw pitch	1 mm
Top and bottom plates parallel to	1 mm
Load capacity	8 kg (depending on motor and controller)
Material	black anodized aluminium
Supply voltage	36 V
Motor connector	DB9(M)
Motor	5918
Weight	4.3 kg
Mechanical end limit switches	2
Switch polarity	pushed is closed



RECOMMENDED CONTROLLERS

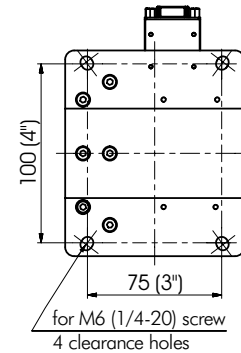
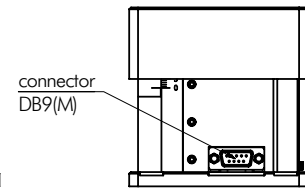
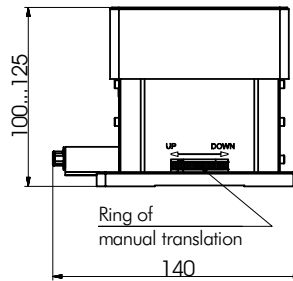


980-0040-USB
see page 8.189



980-0030-RS232
see page 8.188

940-0210 MOTORIZED VERTICAL STAGE




SPECIFICATIONS


Travel range	25 + 1 mm
Resolution in full step	5 µm
Resolution in 1/8 step	0.625 µm
Lead screw pitch	1 mm
Maximum speed	20 mm/sec
Load capacity	8 kg
Unidirectional repeatability	1 µm
Bi-directional repeatability	2 µm
Motor	2 phase stepper actuator
Limit switch	2, optocoupler
Switch polarity	pushed is open
Weight	2.2 kg

- High precision
- High speed (up to 20 mm/sec)
- Loads up to 8 kg
- Compact design
- Direct drive actuator
- Stacks directly with 960-0130, 960-0150 rotators and 960-0070-02 translators

RECOMMENDED CONTROLLERS

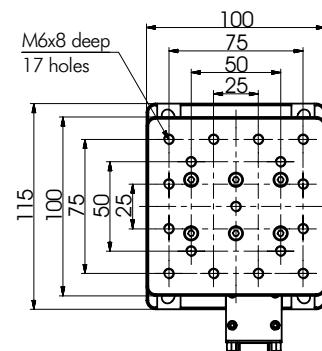


980-0040-USB
see page 8.189



980-0030-RS232
see page 8.188

Code	Price, EUR
940-0210	1515



OPTICAL TABLES
BRACKETS & RAILS
BASE MOUNTS & ACCESSORIES
OPTICAL MOUNTS
OPTICAL POSITIONERS
BASE POSITIONERS
TRANSLATION & ROTATION STAGES
ADJUSTMENT SCREWS
MOTORIZED POSITIONERS