

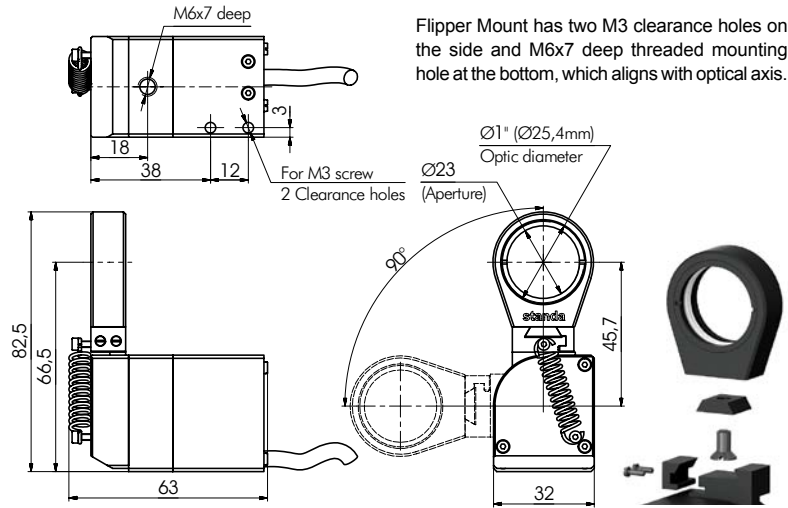
940-0090 **MOTORIZED FLIPPER MOUNT** new



- Controlled with button, handset, external trigger or 980-0040-USB controller
- Mechanical hard stops ensure repeatable positioning
- M6×7 threaded hole for post mounting
- Remote handset with SMA I/O connectors
- Single cable solution for space saving
- Ø2" optical mount on request

Motorized Flipper Mount 940-0090 is designed for fast and precise Ø1" (25.4 mm) optical components flip in and flip out of beam path. Reaching 90° flip position takes less than 0.4 s. Mechanical hard stops ensure repeatable positioning. Flipper mount 940-0090 performs with great repeatability, stability and long lifetime.

Filters, mirrors or pinholes can be easily mounted into the holder and fastened using two fluoroplastic rings and retaining nut. Optics holders for fast switching between different optics can be ordered separately. Due its fast flip time the 8FMF-1 can be used as beam shutter.



Easily changeable 830-0038-01 optics holder (one included with 940-0080)

SPECIFICATIONS

Flip positions	0 and 90°
Flip time	<0.4 s
Optic diameter	Ø25.4 mm (1")
Optics thickness, max	7 mm
Flip to flip repeatability	≤50 µrad
Maximum torque	0.33 Nm
Digital I/O Connector type	SMA (2 places)
Power input	9 – 12 V
Weight	160 g

ORDERING INFORMATION

Code	Description	Price, EUR
940-0090	Motorized Flipper Mount	449
940-0090-PS	Power Supply (12 V; 0.7 A)	50
940-0090-OH	Optics holder (additional)	13

940-0090 control options



980-0040-USB
see page 8.199

With **PC** using 940-0040-USB controller or customer's own device or via external SMA connectors

With **Remote handset** (included with 940-0090). Remote handset itself is equipped with SMA input and output connectors*

* The I/O connectors use TTL signal levels (from 0 V to 5 V). Via input user can control holder position and via output determine position of it.

With the **Button** on the top of the flipper

This flipper mount requires 9 – 12 V power supply unit to operate.

940-0090-PS – power supply 12 V; 0.7 A

OPTICAL TABLES
BRACKETS & RAILS
BASE MOUNTS & ACCESSORIES
OPTICAL MOUNTS
OPTICAL POSITIONERS
BASE POSITIONERS
TRANSLATION & ROTATION STAGES
ADJUSTMENT SCREWS
MOTORIZED POSITIONERS