

940-0060 MOTORIZED KINEMATIC MIRROR/BEAMSPLITTER MOUNTS



- Clear Edge Design
- 1", 2", 3" optics mounts
- Kinematic
- Stable
- Mounting on either of 2 sides
- Black anodized aluminium



DC motor base actuators are available on request.

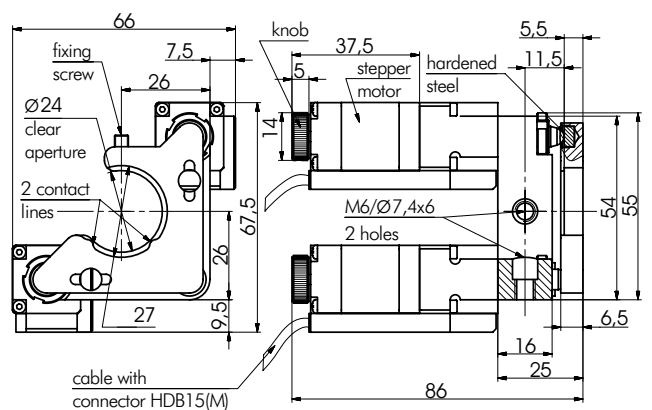
RECOMMENDED CONTROLLERS



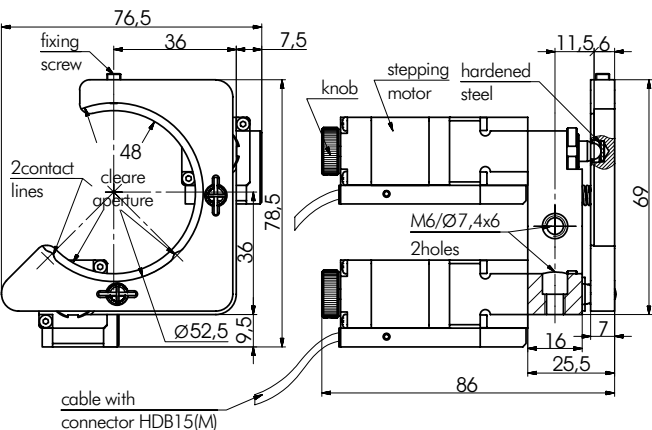
980-0040-USB
see page 8.189



980-0030-RS232
see page 8.188



940-0060-01



940-0060-02

940-0060 Motorized Mirror Mounts combines our traditional 840-0056 Kinematic Mirror/Beamsplitter Mount with our designed Motorized Compact Actuator 970-0060. This motorized mirror mount enables to achieve more precise positioning than with the manual adjusters. Ideal for use in closed systems. Integrated opto-electrical limit switches prevent damage, while providing homing – repeatability better than 10 arcsec.

SPECIFICATIONS

Model	940-0060-01	940-0060-02	940-0060-03
Travel range		4 mm	
Optics diameter	25.4 mm	50.8 mm	76.2 mm
Clear aperture	23 mm	48 mm	74 mm
Resolution		<1 arcsec	
Tilt range		9° (about two axes)	
Speed (980-0030F-USB)		from 1 arcsec/sec to 1°/sec	
Installed actuators		2 × 970-0060	
Optocoupler end limit switches		2 per actuator, pushed is open	
Cable		1.2 m length cable included	
Weight		0.3 kg	
Price	699 EUR	731 EUR	776 EUR

Complementary Products

Code	Page
970-0060	8.184

OPTICAL TABLES
BRACKETS & RAILS
BASE MOUNTS & ACCESSORIES
OPTICAL MOUNTS
OPTICAL POSITIONERS
BASE POSITIONERS
TRANSLATION & ROTATION STAGES
ADJUSTMENT SCREWS
MOTORIZED POSITIONERS