

## 860-0170

## MINI ROTATION STAGE

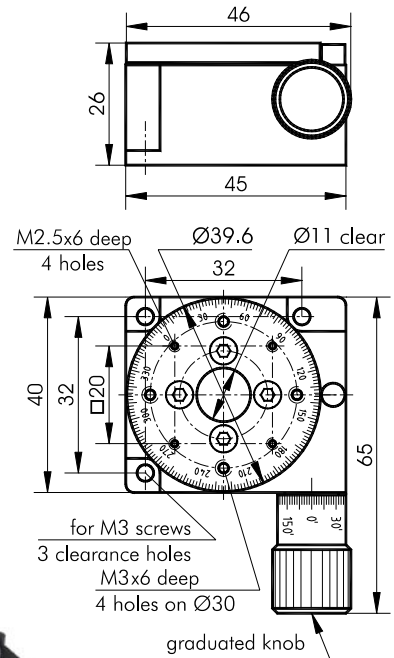


### SPECIFICATIONS

Rotation range	360° (continuous)
Sensitivity	1 arcmin
Reading accuracy	3 arcmin
Wobble	1 arcmin
Eccentricity	10 µm
Load capacity:	
horizontal	4 kg
radial	1.5 kg
Clear aperture	Ø11 mm
Weight	0.2 kg

- **Worm gear design**
- **Ø11 mm clear aperture in the center**
- **Very compact design 46x65 mm**
- **No need in adapter plate for mounting (there are mounting holes on bottom)**
- **Resolution 3 arcmin**

Advantages of Rotation Stage 860-0170 regarding analogues of other manufacturers is existence of the Ø11 mm aperture in the center of rotation stage while it has very compact dimensions 46x65 mm together with its high precision, there is no need to use extra adapter plate for mounting since there are mounting holes on bottom. There you could see examples of stacked stages:



Code	Price, EUR
860-0170	319
860-0170E	319

### Complementary Products

Code	Page
860-0096	8.124
860-0098-02	8.124



Motorized Rotation Stage 960-0170 stacked on 860-0096 (2 pieces), and 860-0098-02



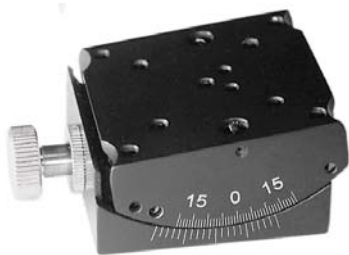
860-0170 stacked on 860-0096 (2 pieces), and 860-0098-02



860-0170 stacked on 860-0096

## 860-0180

## SMALL GONIOMETER



- **Compact**
- **High precision**
- **Rotation about virtual point**
- **15 mm virtual point height**

Code	Price, EUR
860-0180	190

### SPECIFICATIONS

Rotation range	±15°
Reading resolution	0.1° (vernier scale)
Drive geometry	Lever (tangential)
driving screw pitch	0.25 mm
transmission ratio	0°27'59"...0°30'45"
ratio decimal	0.4665°...0.5126°
<i>(the ratio is per revolution)</i>	
Load capacity:	
horizontal	1 kg
Material	Aluminium
Finish	black anodized
Weight	0.1 kg

