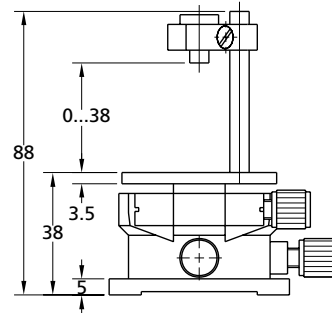
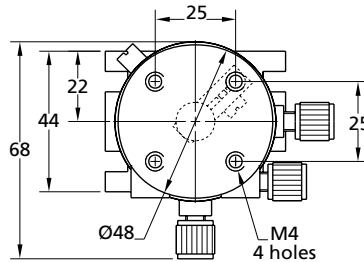
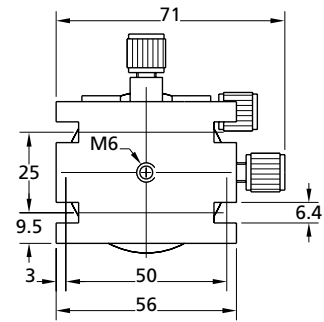


**860-0110 TILT / ROTATION STAGE**



The model 860-0110 tilt/rotation stage provides two independent tilt adjustments within  $\pm 5^\circ$  range and  $\pm 4^\circ$  in-plane rotation adjustment. Precision screws provide 9 arcsec resolution in rotation and both tilt planes (adjustment screws M6 $\times$ 0.25, 3 pcs.).

The mounting clamp with a spring-loaded disengagement knob allows easy insertion and removal of optical components up to 39 mm height and 30 $\times$ 30 mm in square. 860-0110 stage is attached to a table through clearance holes in its base. The main elements of the stage are finished with black anodized aluminium.



| Code     | Weight, kg | Price, EUR |
|----------|------------|------------|
| 860-0110 | 0.23       | 175        |

Mounting option:  
 Large Rod with  
 Rod Base **810-0050**,  
 Large Rod Mounting  
 Clamp **810-0061**,  
 Movable Base  
**820-0090**,  
 Tilt/Rotation  
 Stage **860-0110**



OPTICAL TABLES

BRACKETS & RAILS

BASE MOUNTS & ACCESSORIES

OPTICAL MOUNTS

OPTICAL POSITIONERS

BASE POSITIONERS

TRANSLATION & ROTATION STAGES

ADJUSTMENT SCREWS

MOTORIZED POSITIONERS