

# 860-0105 LINEAR FLEXURE TRANSLATION STAGE



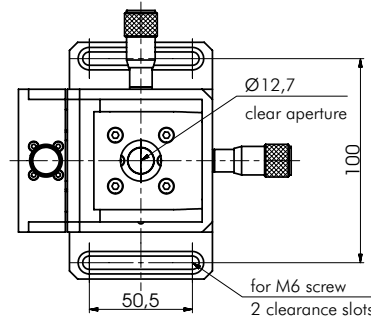
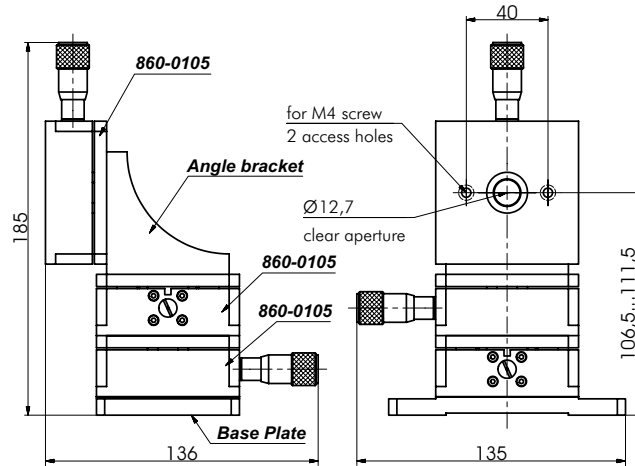
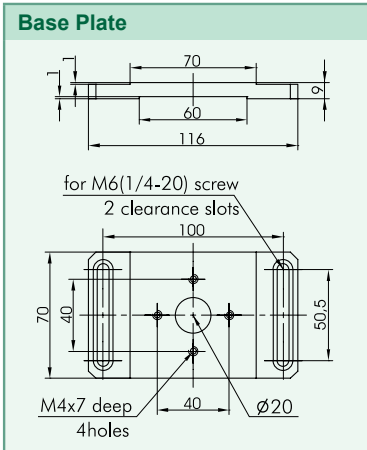
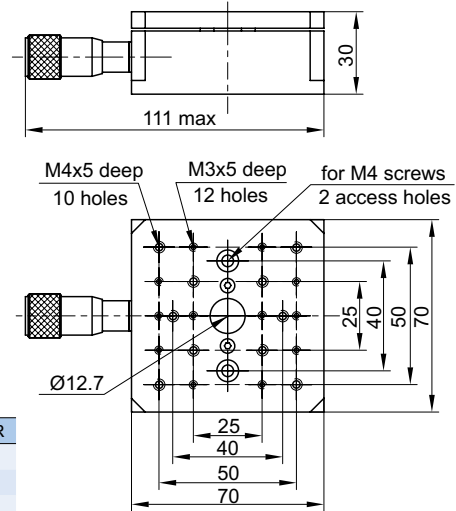
The 860-0105 linear flexure translation stages provide ultra smooth translation for optical assemblies and other components. These stages guarantee linearity of motion over the whole travel range. High stability and smoothness of translation of the stages is ideal for applications in

interferometry, biomedicine, microscopy and other nanoprecision adjustment. Extremely low friction. Stackable for X-Y-Z configurations. Available options include linear flexure stage equipped with stepper motor actuator, DC motor actuator and piezo actuator.

### SPECIFICATIONS

Travel range	5 mm
Sensitivity with:	
Micrometer screw	1 µm
Differential Screw	0.1 µm
Tracking accuracy	2 µm
Reading accuracy	10 µm
Load capacity	1 kg
Assemblies:	
X-Y	directly
Z	Angle Bracket

Code	Weight, kg	Price, EUR
860-0105	0.4	297
860-0105 XY	0.8	594
860-0105 XYZ	1.3	958



**860-0105 XYZ**  
 You may stack the stages for XY applications directly only using two M4x8 screws. Angle bracket allow to stabilize stack the stages for YZ motion.

OPTICAL TABLES  
 BRACKETS & RAILS  
 BASE MOUNTS & ACCESSORIES  
 OPTICAL MOUNTS  
 OPTICAL POSITIONERS  
 BASE POSITIONERS  
 TRANSLATION & ROTATION STAGES  
 ADJUSTMENT SCREWS  
 MOTORIZED POSITIONERS