

860-0094

LOW PROFILE TWO-AXES ALUMINIUM TRANSLATION STAGE

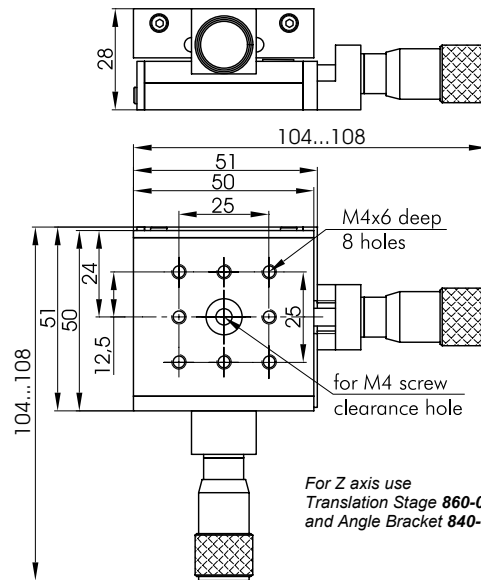


- Compact X-Y configuration
- Exceptionally precise orientation of axes at 90°
- Precision movement
- 10 mm travel range
- Precision ball bearings
- Perpendicular and side control configuration

Low Profile Two-Axes Aluminium Translation Stage 860-0094 provides smooth, precise, X-Y axes movement. The travel of this Stage is 10 mm with resolution 10 µm.

Eight M4 tapped holes are provided in order to mount other components. It can be directly mounted to breadboards and other equipment from our by use of mounting holes Ø4.5 mm and M4. The base and the platform are produced from the black anodized aluminium.

Code	Price, EUR
860-0094	319



For Z axis use Translation Stage 860-0092 and Angle Bracket 840-0140.

SPECIFICATIONS

Travel range	10 mm
Sensitivity	1 µm
Tracking accuracy	2 µm
Reading accuracy	5 µm (½ div.)
Load capacity:	
horizontal	15 kg
vertical	5 kg
Weight	0.38 kg

820-0135-04



820-0135-04 universal base plate for stacking the translation stages to optical tables or to another stages. See page 8.38

860-0094-02

LOW PROFILE TWO-AXES ALUMINIUM TRANSLATION STAGE OF SIDE CONTROL



A rare opportunity to control an X-Y translation stage by access from a single side

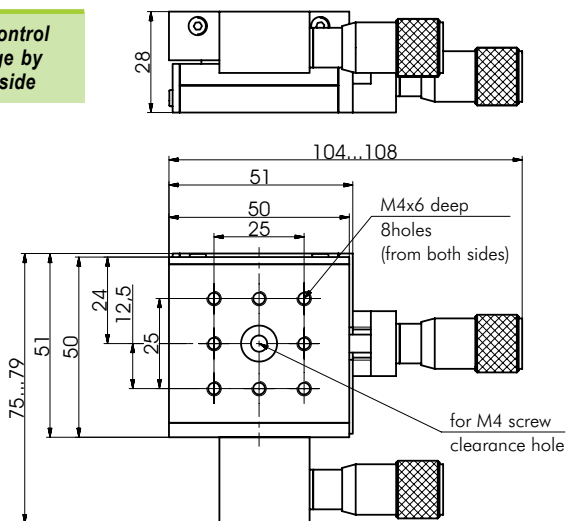
For your convenience we have rotated by 90° the driving screw for X axis in the Translation Stage 860-0094-02. Now it is situated parallel to the Y axis adjustment screw, so the stage is controlled from a single side. This helps in optical schemes of great concentration.

In other respects, including the specifications, the stage is the same as 860-0094.

SPECIFICATIONS

Travel range	10 mm
Sensitivity	1 µm
Tracking accuracy	2 µm
Reading accuracy	5 µm (½ div.)
Load capacity:	
horizontal	15 kg
vertical	5 kg
Weight	0.38 kg

Code	Weight, kg	Price, EUR
860-0094-02	0.38	384



Other dimensions such as 860-0094