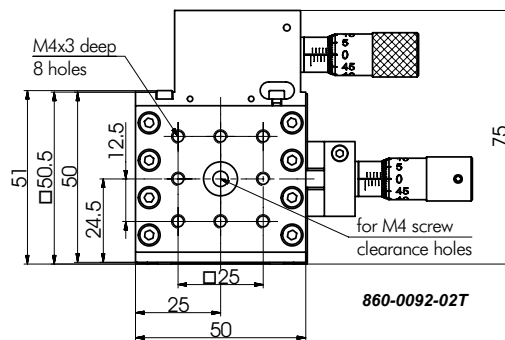
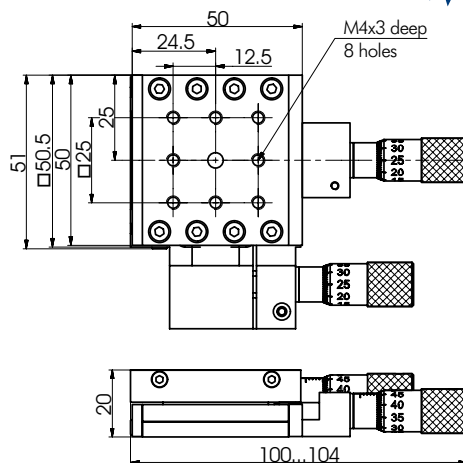


860-0092T

SIDE CONTROL LINEAR STEEL STAGES



860-0092-01T



- Stable Steel stage
- 10 mm travel range
- Side Control Linear Stage
- Driving micrometer screw
- Precise ball bearings
- Compact XYZ configuration with all screws from one side
- Stainless Steel and Vacuum versions available

SPECIFICATIONS

Travel range	10 mm
Sensitivity	1 μm
Tracking accuracy	2 μm
Reading accuracy	5 μm (½ div.)
Load capacity:	
horizontal	6 kg
vertical	3 kg

Code	Weight, kg	Price, EUR
860-0092-01T	0.15	192
860-0092-02T	0.35	395

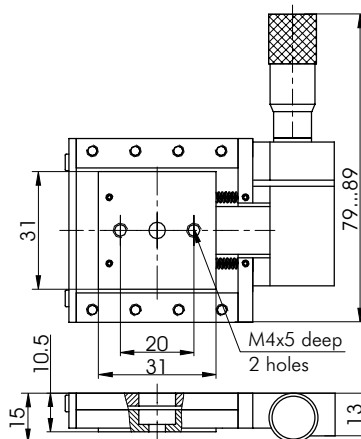
Complementary Products

Code	Page
810-0140	online
820-0135-04	8.36

Base Plate 820-0135-04

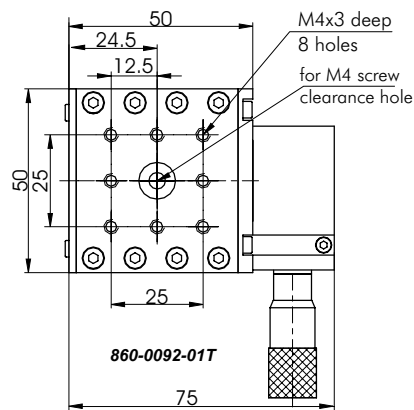


820-0135-04 universal base plate for stacking the translation stages to optical tables or to another stages.
See page 8.36



Usage of Angle Bracket 810-0140

Angle Bracket 810-0140



OPTICAL TABLES

BRACKETS & RAILS

BASE MOUNTS & ACCESSORIES

OPTICAL MOUNTS

OPTICAL POSITIONERS

BASE POSITIONERS

TRANSLATION & ROTATION STAGES

ADJUSTMENT SCREWS

MOTORIZED POSITIONERS