

860-0060

NARROW (width 30 mm) ALUMINIUM TRANSLATION STAGES

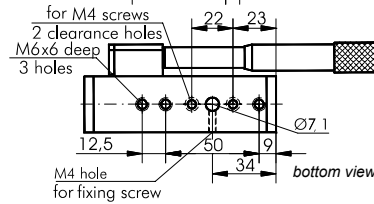
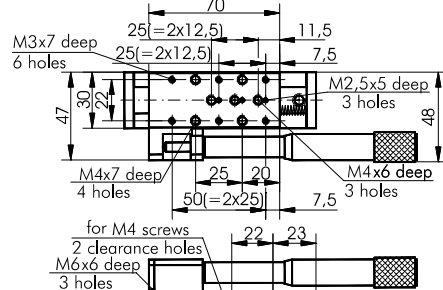
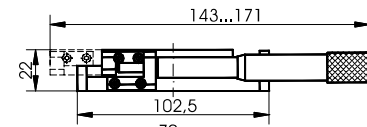
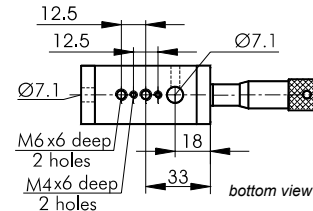
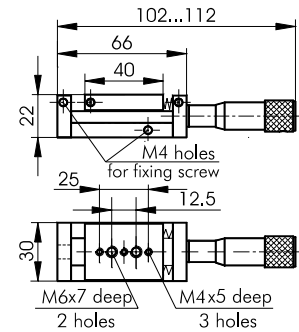
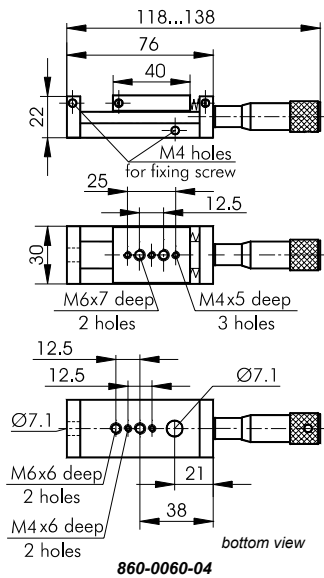


- 10, 20 mm travel ranges
- Optional travel: 5, 6, 25, 30 mm
- Stackable for compact X-Y-Z configuration
- Custom angle brackets are made promptly
- Driving micrometer screw
- Precise ball bearings
- Material: black anodized aluminium

Stages 860-0060 allow manual linear motion. Standard micrometers 870-0040 are used as driving screws. Customer may specify other screws with non-matching travel range to save space.

A platform is spring preloaded against the driving screw to provide high resolution, low backlash, smooth and accurate motion.

An array of mounting holes on a platform and on a base allow a variety of convenient mounting options, including mounting on Posts.



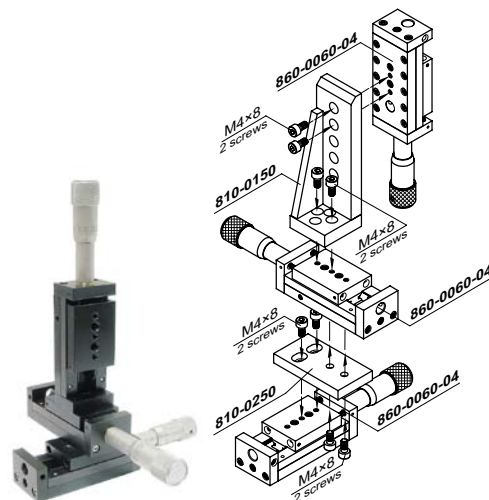
Specifications	860-0060-02	860-0060-04	860-0060-25	860-0060-05
Travel range, mm	10	20	25	50
Sensitivity, µm			1	
Tracking accuracy, µm			2	
Reading accuracy, µm			5 (½ division)	
Load capacity:				
horizontal, kg			10	
vertical, kg			5	
Weight, kg	0.16	0.2	0.21	0.31
Assemblies:				
X-Y	810-0250	810-0250	810-0250	directly
Z	810-0150	810-0150	810-0150	810-0160
Price, EUR	191	224	249	283

Complementary Products

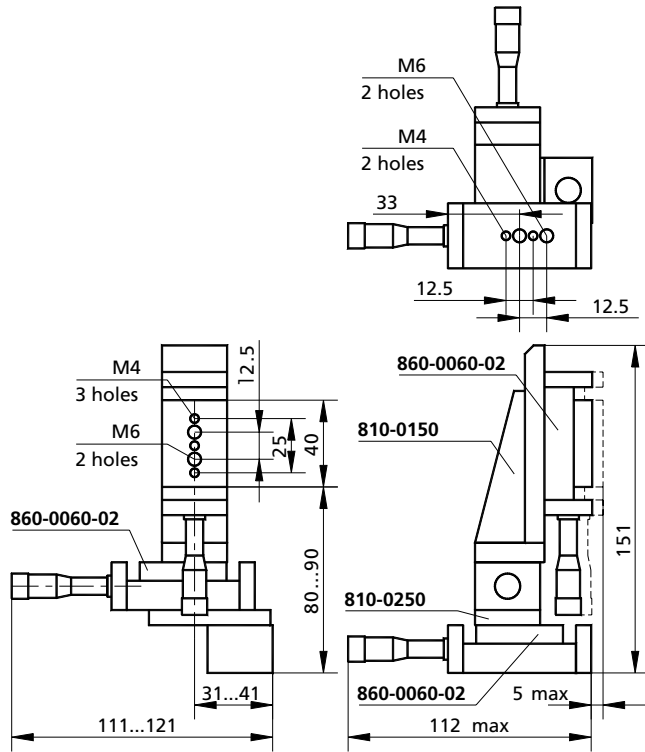
Code	Page
810-0150	8.28
810-0150-01	8.29
810-0160	8.30
810-0250	8.112
820-0254	8.43
870-0040	8.139

For **rigid XYZ** assembly we offer a connecting plate 810-0250 (for Y axis) and an angle bracket 810-0150 (for Z axis).

For **quick XYZ** assembly stages may be stacked using connecting cones 820-0254 (Ø7.1 holes with fixing screws on the sides are provided).



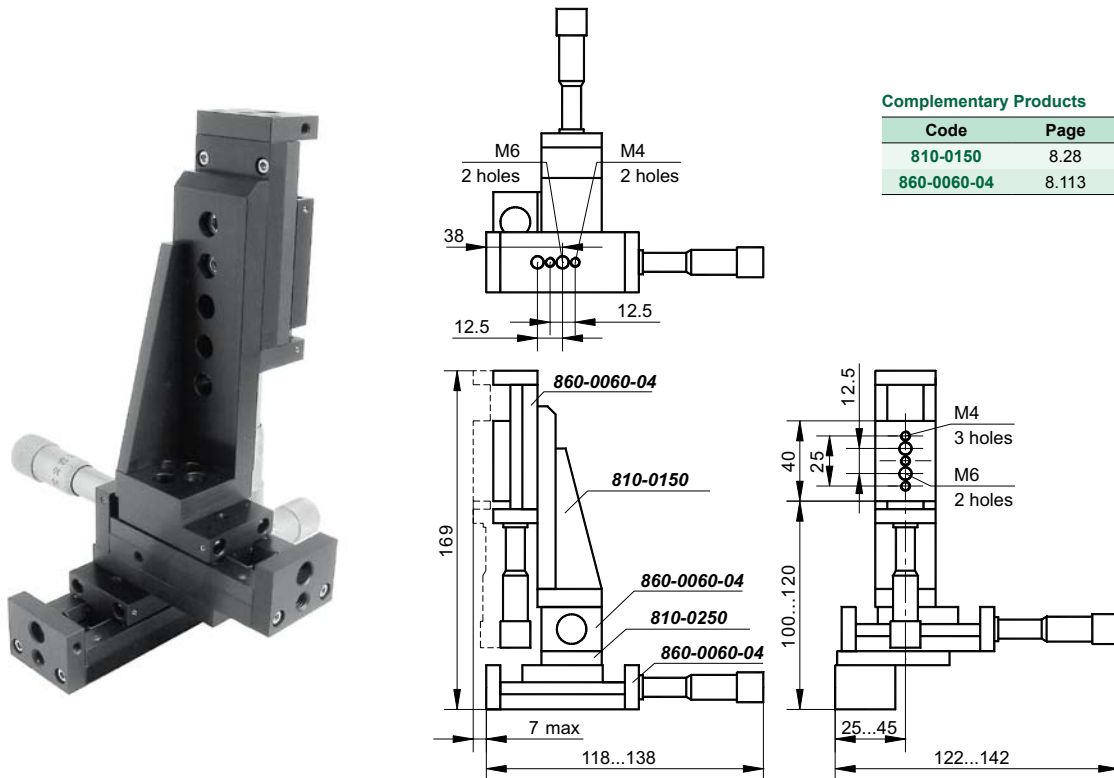
Example of 860-0060-02 XYZ



Complementary Products

Code	Page
810-0150	8.28
860-0060-02	8.113

Example of 860-0060-04 XYZ



Complementary Products

Code	Page
810-0150	8.28
860-0060-04	8.113