

**860-0058 SIDE CONTROL LINEAR STAGES**



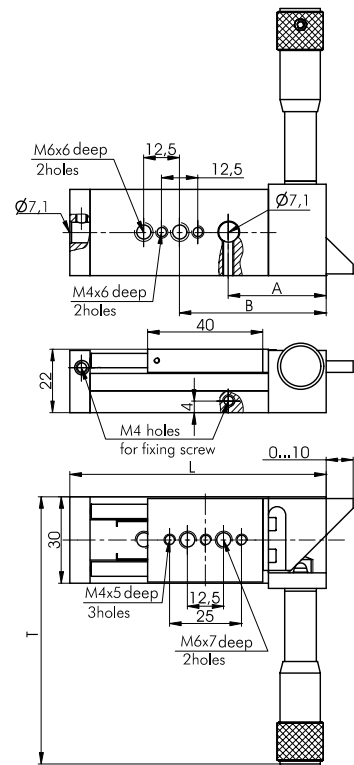
Side control linear translation stages 860-0058 are equipped with 870-0040 series micrometer screws and provide convenient control in limited space setups. Both left-hand (860-0058-10, 860-0058-20) and right-hand (860-0058-11; 860-0058-21) versions are available. These stages can be used in multi-axis combinations and are compatible with 860-0060 series stages. In dense optical schemes with limited access to multi-axis stages you have a possibility to control all three axes from one side.

- 10, 20 mm travel ranges
- Side Control Linear Stage
- Driving micrometer screw
- Precise ball bearings
- Compact XYZ configuration with all screws from one side
- Right and left hand versions are available

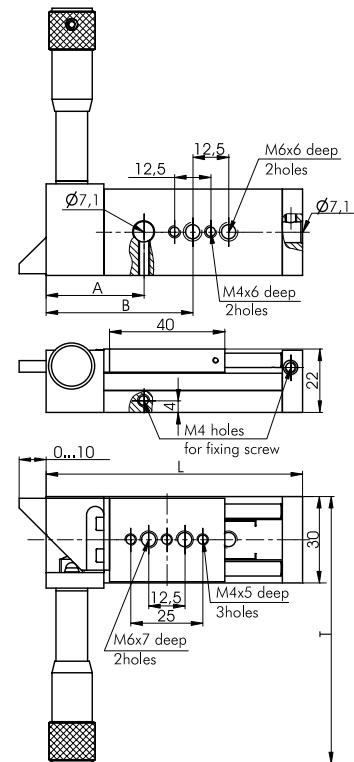
**SPECIFICATIONS**

| Model                            | 860-0058-10      | 860-0058-20 |
|----------------------------------|------------------|-------------|
| Travel range, mm                 | 10               | 20          |
| Sensitivity, $\mu\text{m}$       |                  | 1           |
| Tracking accuracy, $\mu\text{m}$ |                  | 2           |
| Reading accuracy, $\mu\text{m}$  | 5 (1/2 division) |             |
| Load capacity:                   |                  |             |
| horizontal, kg                   | 10               |             |
| vertical, kg                     |                  | 5           |
| Weight, kg                       | 0.18             | 0.23        |
| Assemblies:                      |                  |             |
| X-Y                              | 810-0250         |             |
| Z                                | 810-0150         |             |
| Price, EUR                       | 206              | 239         |

| Catalogue number | Description        | A, mm | B, mm | L, mm | T, mm | Weight, kg |
|------------------|--------------------|-------|-------|-------|-------|------------|
| 860-0058-10      | left hand version  | 31    | 46    | 79    | 67-77 | 0.18       |
| 860-0058-11      | right hand version | 31    | 46    | 79    | 67-77 | 0.18       |
| 860-0058-20      | left hand version  | 34    | 51    | 89    | 74-94 | 0.23       |
| 860-0058-21      | right hand version | 34    | 51    | 89    | 74-94 | 0.23       |



**860-0058**  
left hand version



**860-0058**  
right hand version

OPTICAL TABLES  
BRACKETS & RAILS  
BASE MOUNTS & ACCESSORIES  
OPTICAL MOUNTS  
OPTICAL POSITIONERS  
BASE POSITIONERS  
TRANSLATION & ROTATION STAGES  
ADJUSTMENT SCREWS  
MOTORIZED POSITIONERS