

860-0053

LOW COST LINEAR TRANSLATION STAGE



860-0053-01



860-0053-02

- Solid box design
- 25 mm travel range
- Variety of mounting holes and options
- Easily stacked in X-Y configuration
- For Z axis add 810-0146-AI
- Large mounting surface
- Made of aluminium

Stable Aluminium Translation Stages 860-0053 have large mounting surface, great travel range for this relatively small size, low profile and increased stability of precision. Box designed reinforces the stage, reducing flex. The platform is preloaded by springs. The stage could be stacked immediately to other units or to their own type (e.g. in X-Y configuration). Z-axis is attached through angle bracket 810-0146-AI. The stage could be used upside-down. For immediate attachment the base has 2 clearance holes for M6 screws. Similarly, the platform has 4 clearance holes for M4 screws. Slip the screws from top or under through the cross holes in a platform/base. Micrometers 870-0040-25 comes as standard.

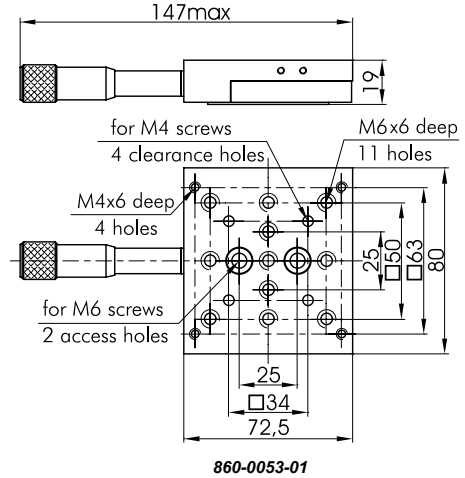
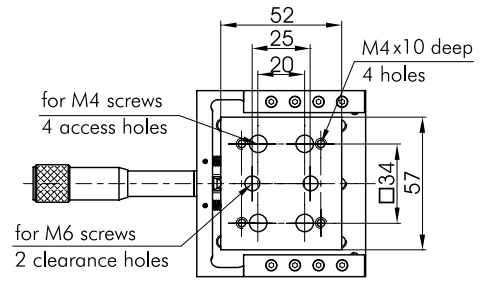


860-0053-03
Right hand version

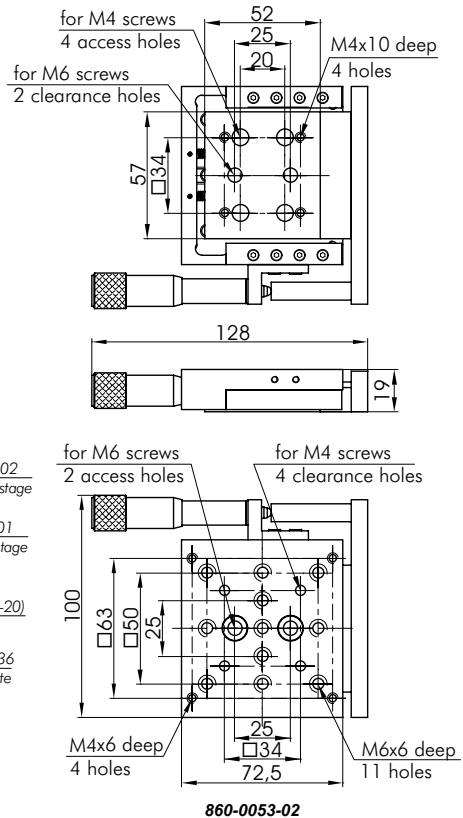
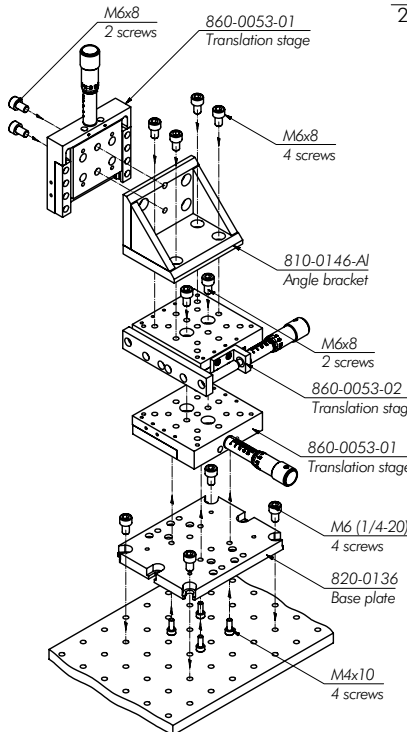
SPECIFICATIONS

Travel range	25 mm
Sensitivity	1 µm
Reading accuracy	10 µm
Angular deviation	< 200 µrad
Tracking accuracy	2 µm
Load capacity:	
horizontal	20 kg
vertical	5 kg
Weight	0.4 kg
Material	black anodized aluminium
Assemblies:	
X-Y	directly
Z	810-0146-AI

Code	Description	Price, EUR
860-0053-01	standard stage	210
860-0053-02	side driven stage	217
860-0053-03	side driven right hand stage	217



860-0053-01



860-0053-02

Complementary Products

Code	Page
810-0146	8.28
820-0136	8.38

OPTICAL TABLES

BRACKETS & RAILS

BASE MOUNTS & ACCESSORIES

OPTICAL MOUNTS

OPTICAL POSITIONERS

BASE POSITIONERS

TRANSLATION & ROTATION STAGES

ADJUSTMENT SCREWS

MOTORIZED POSITIONERS