

860-0051

TRANSLATION STAGE

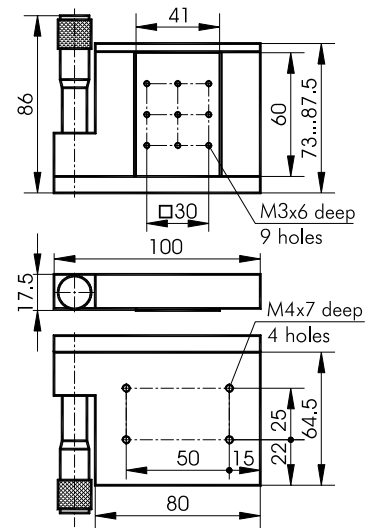


- Micrometer drive
- X-Y-Z configuration available

SPECIFICATIONS

Travel range	15 mm
Sensitivity	1 μm
Scale graduation	10 μm
Tracking accuracy	2 μm
Load capacity:	
horizontal	10 kg
vertical	5 kg
Weight	0.41 kg

Code	Price, EUR
860-0051	249

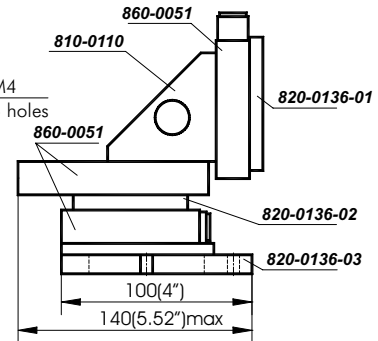
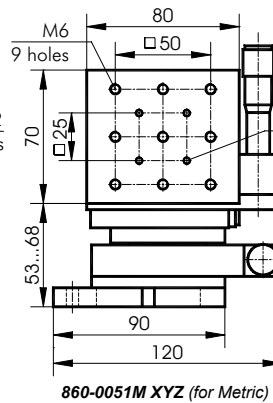
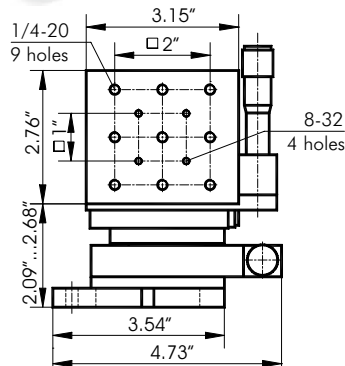
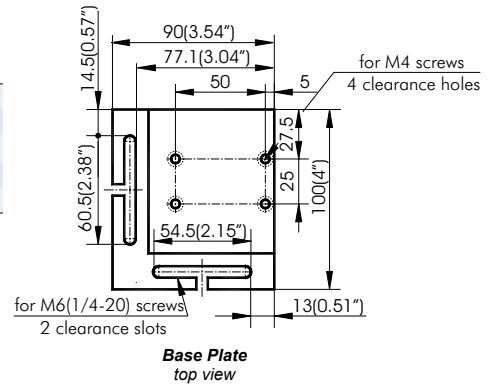


XYZ Translation Stage – 860-0051 XYZ



SPECIFICATIONS

Travel range	15 mm
Sensitivity	1 μm
Scale graduation	10 μm
Tracking accuracy	2 μm
Load capacity	5 kg



The stages are assembled of:

- 3 pieces of 860-0051
- 1 piece of 820-0136-02
- 1 piece of 820-0136-01
- 1 piece of 820-0136-03
- 1 piece of 810-0110

Code	Weight, kg	Price, EUR
860-0051E XYZ	1.35	747
860-0051M XYZ	1.35	747