



Translation & Rotation Stages

860-0010 COMPACT TRANSLATION STAGE



The model 860-0010 compact translation stage is well suited for positioning applications in laboratory experiments requiring linear motion within small space. Ball bearing rolling between opposing of hardened, polished steel rods provide smooth, accurate translating platform's ride.

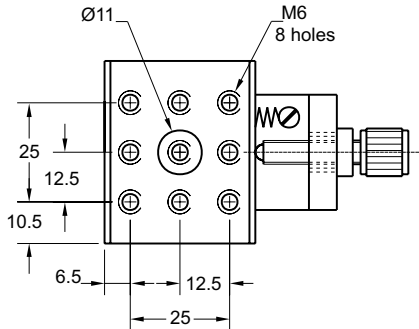
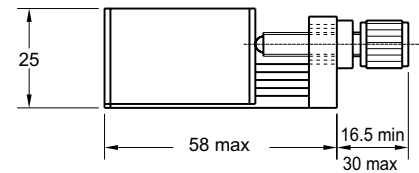
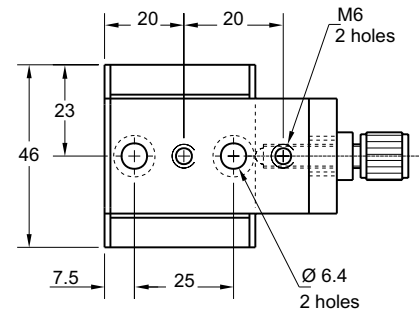
Model 860-0010 stages are designed to stack for X-Y motion. Vertical motion may be also added using model 810-0100

angle bracket. Model 860-0010 stage provides 13 mm travel with 5 μm resolution and max. 3 kg loading capacity. Max. straightness is ± 6 μm only.

Model 860-0010 is completed with steel screw M6×0.5mm and brass collar with an outer thread M10×1mm for mounting.

Additionally model 860-0010-02 is completed with model 870-0010 precise screw. 860-0010-04 option comes with model 870-0020 micrometer screw with reading marks.

Finish: black oxidized steel.



Mounting option:
 Large Rod with Rod Base 810-0050,
 Large Rod Mounting Clamp 810-0061,
 Movable Base 820-0090,
 Compact Translation Stages 860-0010 XYZ

Code	Weight, kg	Price, EUR
860-0010	0.31	107
860-0010-02	0.34	133
860-0010-04	0.34	138

Complementary Products

Code	Page
810-0050	8.18
810-0061	8.20
810-0100	8.24
820-0090	8.36
870-0010	8.138
870-0020	8.138

