

**850-0020 • 850-0022 KINEMATIC BASES**



850-0020

- Kinematic repositioning with repeatability of several arcsec
- Exclusive mounting disk for extra freedom in positioning (850-0020 only)
- Hooks made of spring steel enable reliable locking and quick-release

Unhook the platform from the bottom plate and stow it away with all the units still mounted. Later replace the platform, just as it was, with a repeatability of several arcsec.

The bases use a kinematic scheme, where three steel balls register with a cone, a v-groove, and a flat. The balls and registers are made of hardened polished steel.

Hooks prevent a platform from accidental movements.

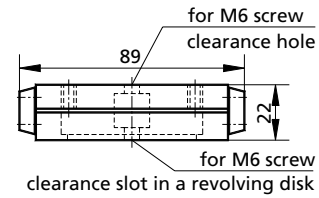
A bottom plate is fastened through clearance holes or a slot. 850-0020 has a revolving mounting disk adding a degree of freedom of positioning.

Material: aluminium.  
Finish: black anodized.

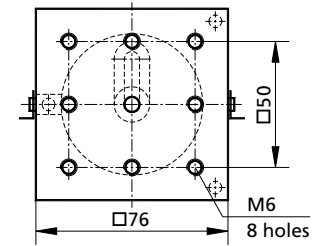
A kinematic base is used for repeated positioning of groups of units mounted on its platform.

A platform has M6 mounting holes. Alternatively, fit an M6 screw through a clearance hole from beneath.

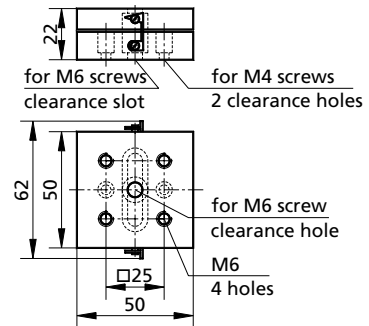
Code	Platform dimensions, mm	M6 holes on top	Weight, kg	Price, EUR
850-0020	76×76	8	0.30	75
850-0022	50×50	5	0.14	70



clearance slot in a revolving disk



850-0020



850-0022

**850-0030 MAGNETIC KINEMATIC BASE**



You can lift the units mounted on the platform as a group. The platform is replaced with a repeatability of 50 mikrom.

The platform has patterns of M4 and M6 mounting holes. Alternatively, fit M6 screws through its clearance slots from beneath.

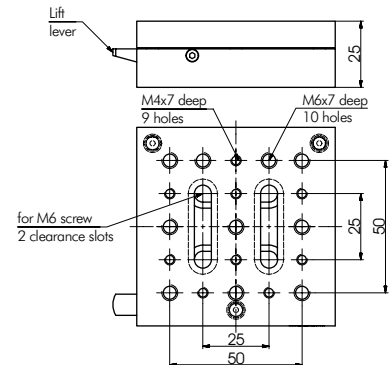
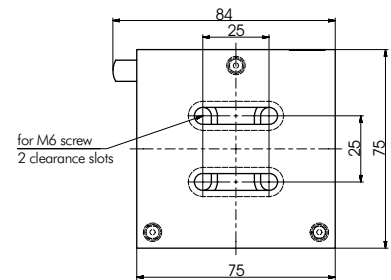
Two high strength magnets lock the platform to the bottom plate.

The bottom plate is fastened by M6 screws through a pair of transversal clearance slots.

Push the special lever to lift the platform with minimal jolts.

Material: aluminium.  
Finish: black anodized.

Code	Surface, mm	Weight, kg	Price, EUR
850-0030	75×75	0.36	75



OPTICAL TABLES

BRACKETS & RAILS

BASE MOUNTS & ACCESSORIES

OPTICAL MOUNTS

OPTICAL POSITIONERS

BASE POSITIONERS

TRANSLATION & ROTATION STAGES

ADJUSTMENT SCREWS

MOTORIZED POSITIONERS