

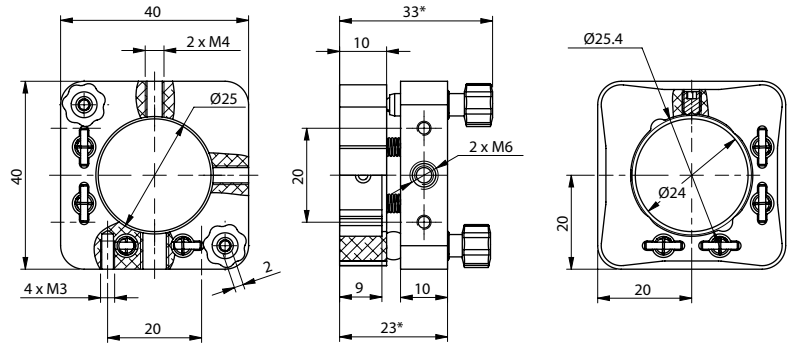
**840-0058-01**

**COMPACT KINEMATIC MIRROR / WINDOW MOUNT**



Compact Kinematic Mirror/Window Mount 840-0058-01 is designed for precise angular alignment of optical elements. It is suitable for first surface mirrors, rear mirrors, output couplers and windows. 840-0058-01 has a resting flange to stop the optics. One fixing screw secures the optics against two hard rests, which make two contact points. To prevent damage

to the optics, the tip of the fixing screw is made of plastic. The platform is preloaded by four strong springs, ensuring tight kinematic fit. Compact design (outer size just 40x40mm) is an advantage where the space is tight. Three types of holes (M6, M4 and M3) on the edge of the mount make it universal when choosing suitable rod or post.



- 1" optics mount – fits Ø25.4 mm and Ø25.0 mm optics of ≥5 mm thickness
- Tilt range about two axis – ±5°
- Sensitivity – 3 arcsec
- Mounting: M6, M4, M3 fixing holes on either of two sides
- Hexagon socket head cap screws – 2 mm hex key can be used for alignment
- Material: black anodized aluminum

Code	Equipment	Weight, kg	Price, EUR
840-0058-01	Empty mount for optics Ø25.4 mm	0.05	59
082-2840-i0-45M58	Mount 840-0058-01 with UVFS flat mirror HR>99% @ 280-400 nm, AOI = 0-45 deg	0.06	152
082-4075-i0-45M58	Mount 840-0058-01 with UVFS flat mirror HR>99% @ 400-750 nm, AOI = 0-45 deg	0.06	140
082-7511-i0-45M58	Mount 840-0058-01 with UVFS flat mirror HR>99% @ 750-1100 nm, AOI = 0-45 deg	0.06	143
092-1010M58	Mount 840-0058-01 with UVFS flat UV Enhanced Aluminium coated mirror R <sub>ave</sub> >85% @ 210-400 nm, AOI = 0-45 deg	0.06	120
092-0015M58	Mount 840-0058-01 with BK7 flat Protected Aluminium coated mirror R <sub>ave</sub> >86% @ 300 nm - IR, AOI = 0-45 deg	0.06	77
092-0025M58	Mount 840-0058-01 with BK7 flat Protected Silver coated mirror R <sub>ave</sub> >96% @ 400 nm - IR, AOI = 0-45 deg	0.06	95
092-0030M58	Mount 840-0058-01 with BK7 flat Protected Gold coated mirror R <sub>ave</sub> >98% @ 900 nm - IR, AOI = 0-45 deg	0.06	98

OPTICAL TABLES

BRACKETS & RAILS

BASE MOUNTS & ACCESSORIES

OPTICAL MOUNTS

OPTICAL POSITIONERS

BASE POSITIONERS

TRANSLATION & ROTATION STAGES

ADJUSTMENT SCREWS

MOTORIZED POSITIONERS