

840-0005-05

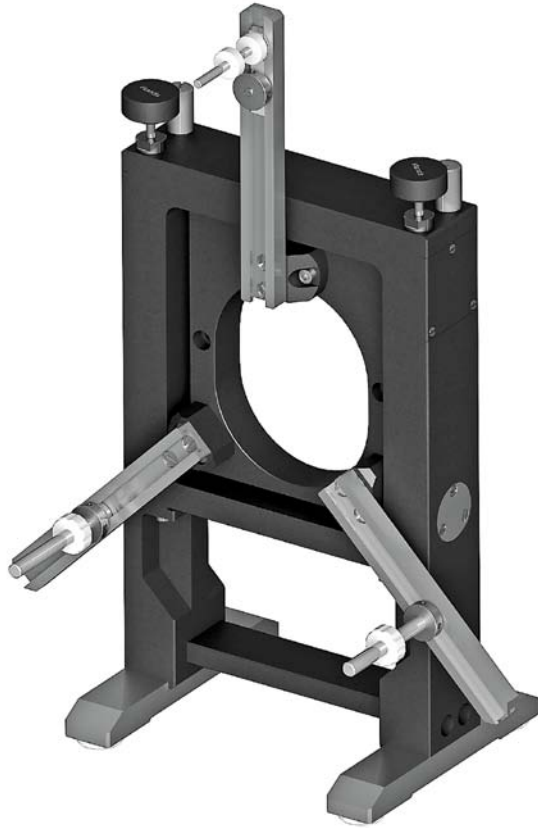
PRECISE ADJUSTABLE KINEMATIC MOUNT FOR LARGE OPTICS



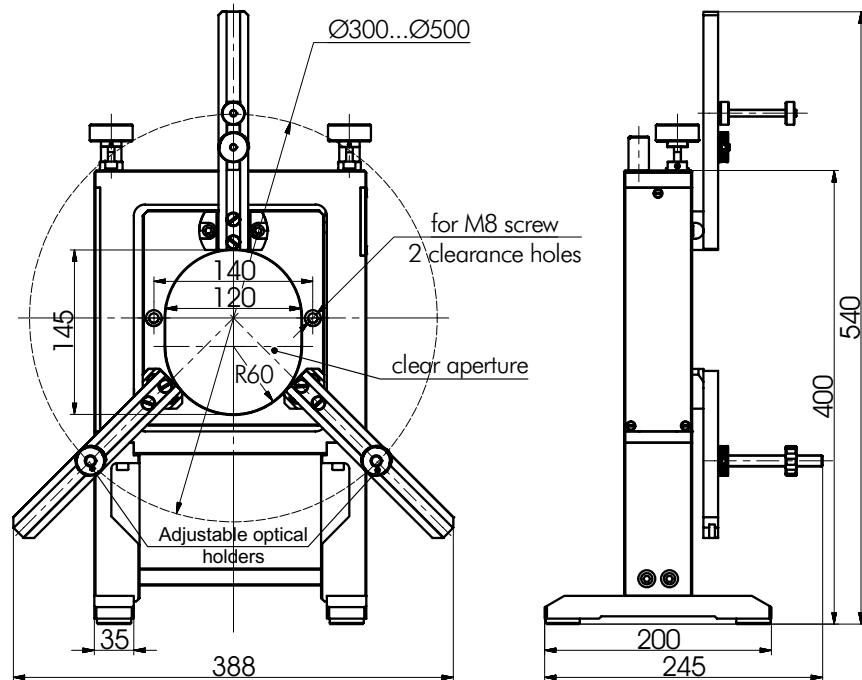
840-0005-05 is a modification of standard version of the Precise Adjustable Kinematic Mount for Large Optics 840-0005. This model is designed for optics with diameter up to 500 mm, while retaining mechanical parameters of the standard version.

SPECIFICATIONS

| | |
|----------------------------------|-------------|
| Fine screw thread | M6×0.35 |
| Horizontal rotation range | ±1.5° |
| Vertical yaw range | ±1.5° |
| Sensitivity | 0.5 arcsec |
| Load capacity | 10 kg |
| Compatible with optical elements | |
| Diameter | 300+500 mm |
| Thickness | up to 52 mm |
| Weight | 11 kg |



| Code | Price, EUR |
|-------------|------------|
| 840-0005-05 | 2500 |



OPTICAL TABLES

BRACKETS & RAILS

BASE MOUNTS & ACCESSORIES

OPTICAL MOUNTS

OPTICAL POSITIONERS

BASE POSITIONERS

TRANSLATION & ROTATION STAGES

ADJUSTMENT SCREWS

MOTORIZED POSITIONERS