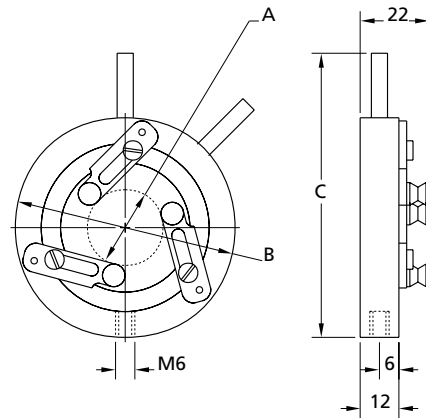


830-0010 • 830-0020 SELF-CENTRING LENS MOUNTS



The model 830-0010 and model 830-0020 self-centring lens mounts reliably centre and safely hold round optics and cylindrical components. Holding by three rods with V-groove tips provide easy and secure optics accommodation with high relocation repeatability.

Model 830-0010 and 830-0020 mounts may be attached to series 820-0010 standard rods and then with series 820-0050 rod

holders or series 820-0040 rod translators be located on the table. Alternatively, sets of riser blocks and movable bases provide a selection of convenient, various axes height and direct location to table.

Model 830-0010 accommodates optics up to 40 mm and model 830-0020 up to 60 mm in diameter.

Finish: black anodized aluminium.

Code	Amin, mm	Amax, mm	B, mm	C, mm	Weight, kg	Price, EUR
830-0010	8	40	68	88	0.10	91
830-0020	8	60	88	108	0.13	95

Complementary Products

Code	Page
820-0010	8.33
820-0040	8.34
820-0050	8.34