

830-0025

SELF-CENTERING LENS/OPTICS MOUNTS



830-0025-04

830-0025-02

830-0025-40

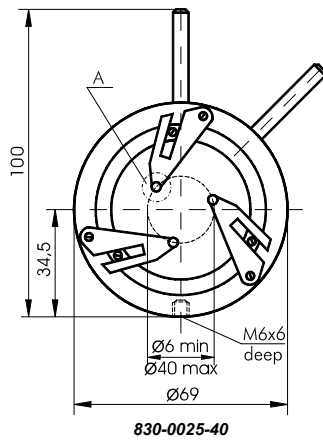
- Automatically centers and holds optics
- Easy insertion and removal of optics
- 3 M4 holes for fixing to flat object
- Reverse operation on request
- Can be motorized
- 40 mm, 4" and 2" optics mount

Self-Centering Lens/Optics Mounts reliably centres and securely holds round optics and cylindrical objects. This device is particularly valuable when lenses of different diameters are being used interchangeably, as repeated centering at constant height is necessary.

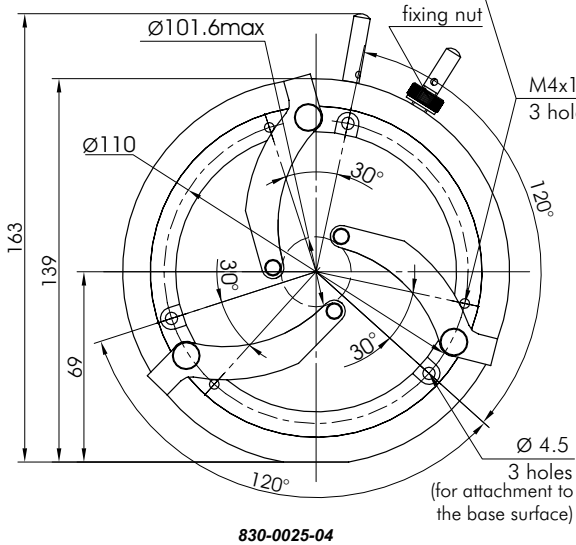
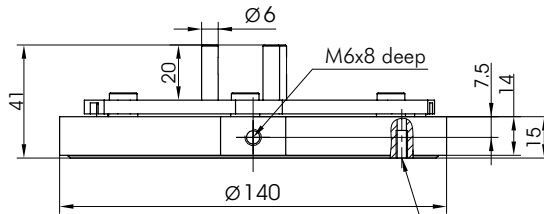
When released the three arms grip the lens, automatically centering the lens within the holder. Unlike other models, 830-0025 gripping mechanism controlled by pressing vertical piston down the socket. Because of such design mount can be easily motorized.

The mount can be modified on request for reverse operation – mount is closing while pushing vertical piston down. This way mount can be used to hold rings and hollow cylinders from inside.

Code	Description	Weight, kg	Price, EUR
830-0025-40	for 40 mm optics	0.07	75
830-0025-02	for 2" (50.8 mm) optics	0.19	99
830-0025-04	for 4" (101.6 mm) optics	0.38	140

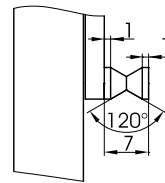


830-0025-40



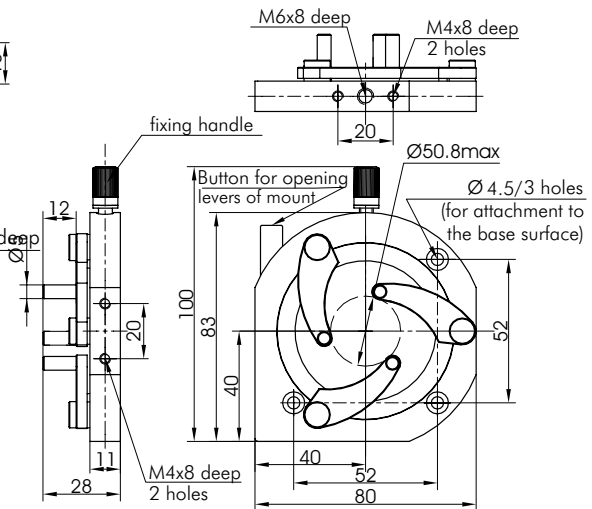
830-0025-04

View A



Complementary Products

Code	Page
820-0010	8.31



830-0025-02